

# Barudan

HIGH SPEED AUTOMATIC EMBROIDERY MACHINE

MODEL

**BEMRME-YS**  
**BEMSME-YS**  
**BEMXME-YS**

## PARTS LIST

**BARUDAN CO., LTD.**

ADDRESS 906 JOSUJI  
ICHINOMIYA-CITY · AICHI-PREF ·  
JAPAN

TEL. <0586>76-1137  
FAX. <0586>77-1499  
TELEX 4573268 BARUNA J  
CABLE BARUNA ICHINOMIYA



# B E M R M E - Y S • B E M S M E - Y S

## B E M X M E - Y S

### HIGH SPEED AUTOMATIC EMBROIDERY

### MACHINE PARTS LIST

#### CONTENTS

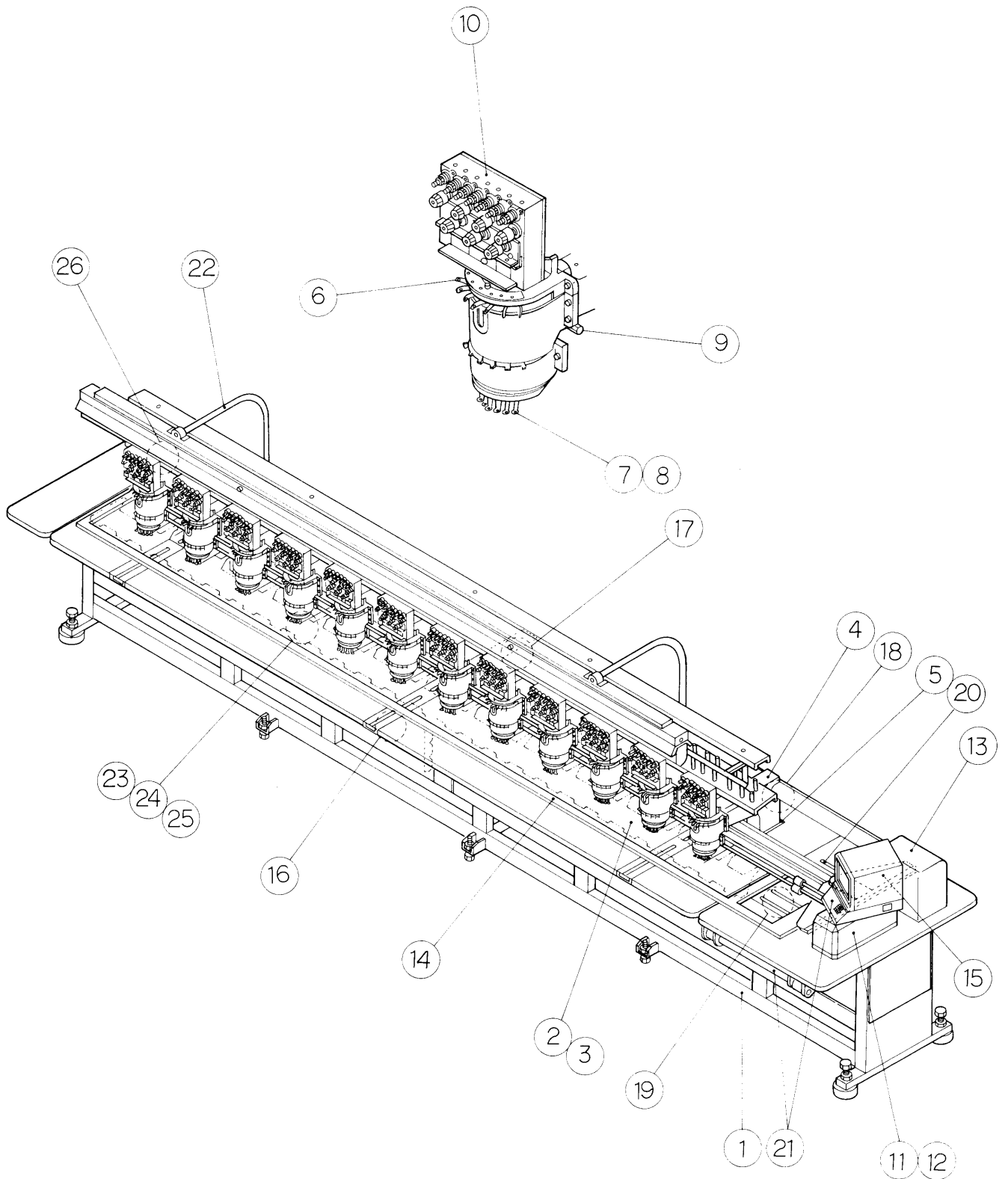
ITEM No.	Page No.
Machine layout ( BEMRME-YS BEMSME-YS BEMXME-YS ) .....	1
① Table • Frame .....	2
② Table lifter mechanism I .....	4
③ Table lifter mechanism II .....	6
④ Sewing head a'ssy .....	8
⑤ Bed a'ssy .....	10
⑥ Take up lever mechanism .....	12
⑦ Needle bar mechanism I .....	14
⑧ Needle bar mechanism II .....	16
⑨ Jump mechanism .....	18
⑩ Thread guide mechanism .....	20
⑪ Color change mechanism I .....	22
⑫ Color change mechanism II .....	24
⑬ Drive mechanism .....	26
⑭ Pantograph drive mechanism I (Pantograph, Cover) .....	28
⑮ Pantograph drive mechanism II (T-Pantograph relation) .....	30
⑯ Pantograph drive mechanism III (H-Direction, Front) .....	32
⑰ Pantograph drive mechanism IV (H-Direction, Rear I) .....	34
⑱ Pantograph drive mechanism V (H-Direction, Rear II) .....	36
⑲ Pantograph drive mechanism VI (V-Direction, Front) .....	38
⑳ Pantograph drive mechanism VII (V-Direction, Rear) .....	40
㉑ Control system <BEMRME-YS> .....	42
㉒ Control system <BEMSME-YS> .....	44
㉓ Control system <BEMXME-YS> .....	46
㉔ Option .....	48
㉕ Automatic thread cutting mechanism I (Thread cutting section) .....	50
㉖ Automatic thread cutting mechanism II (Thread away section) .....	52
㉗ Automatic thread cutting mechanism III (Thread support section) .....	54
㉘ Automatic thread cutting mechanism IV (Drive mechanism) .....	56
㉙ Thread guide mechanism (Lower thread sensorium) .....	58
INDEX .....	60



Barudan

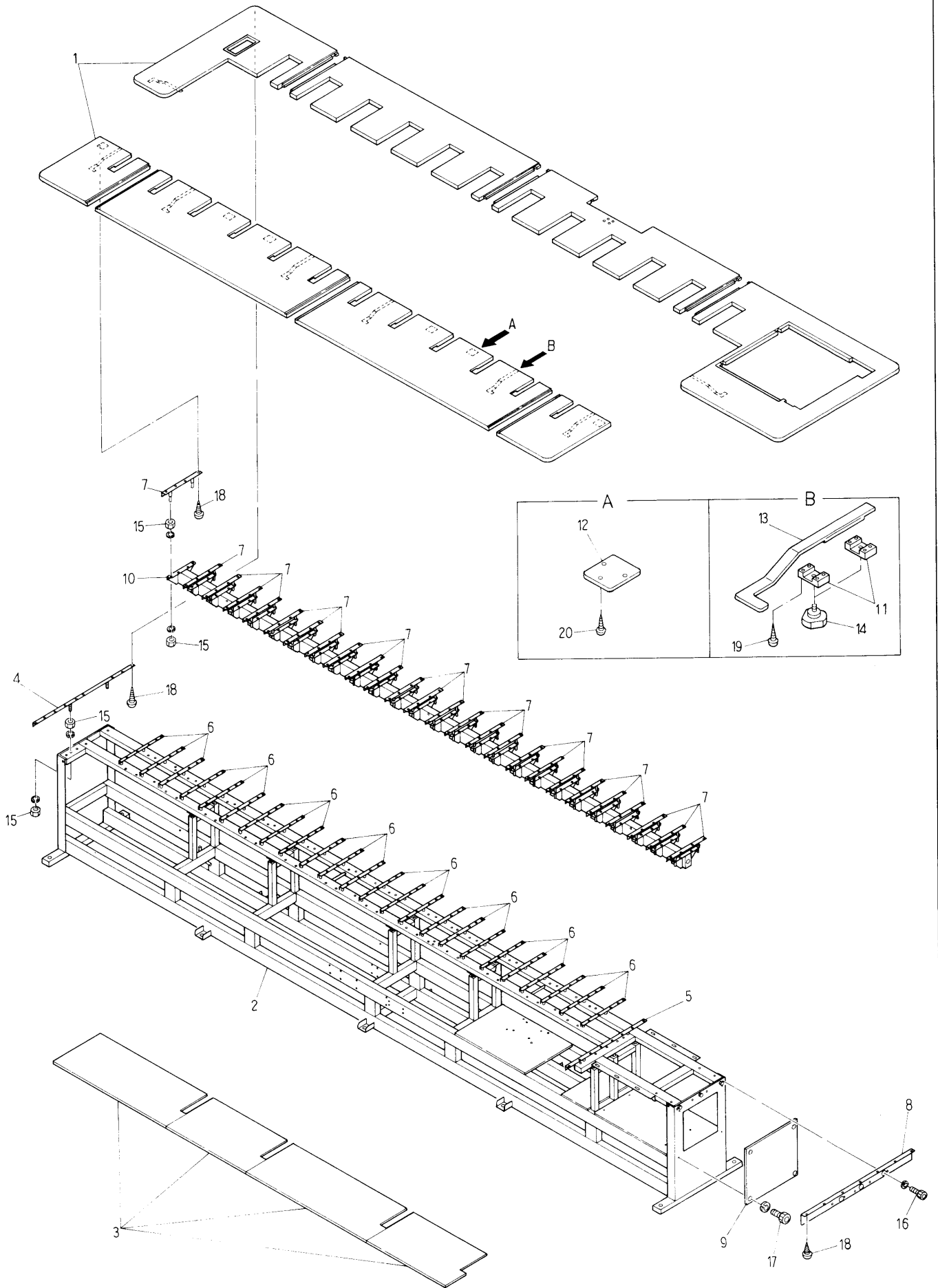
Machine layout

BEMRME-YS  
BEMSME-YS  
BEMXME-YS



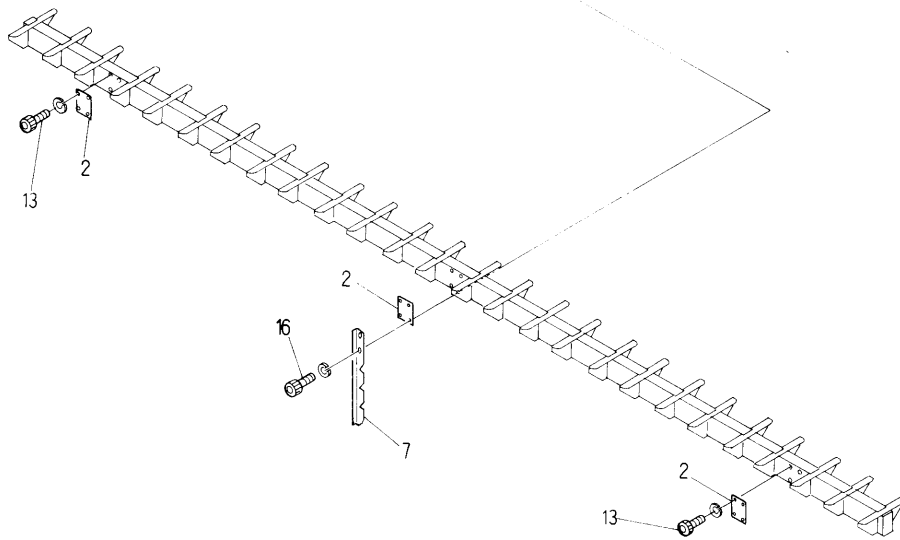
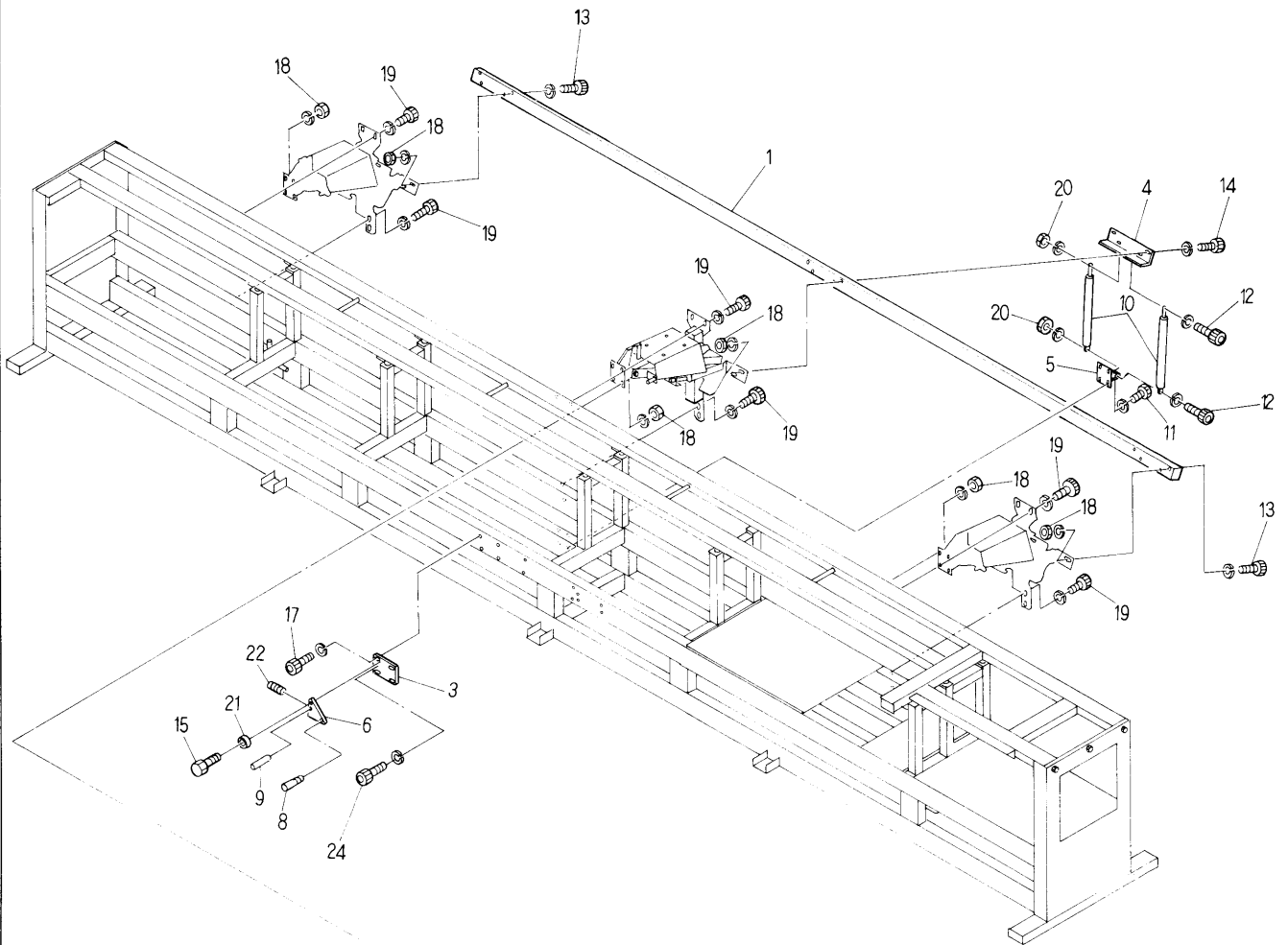
MODEL

BEMRME-YS  
BEMSME-YS  
BEMXME-YS



MODEL  
**BEMRME-YS**  
**BEMSME-YS**  
**BEMXME-YS**



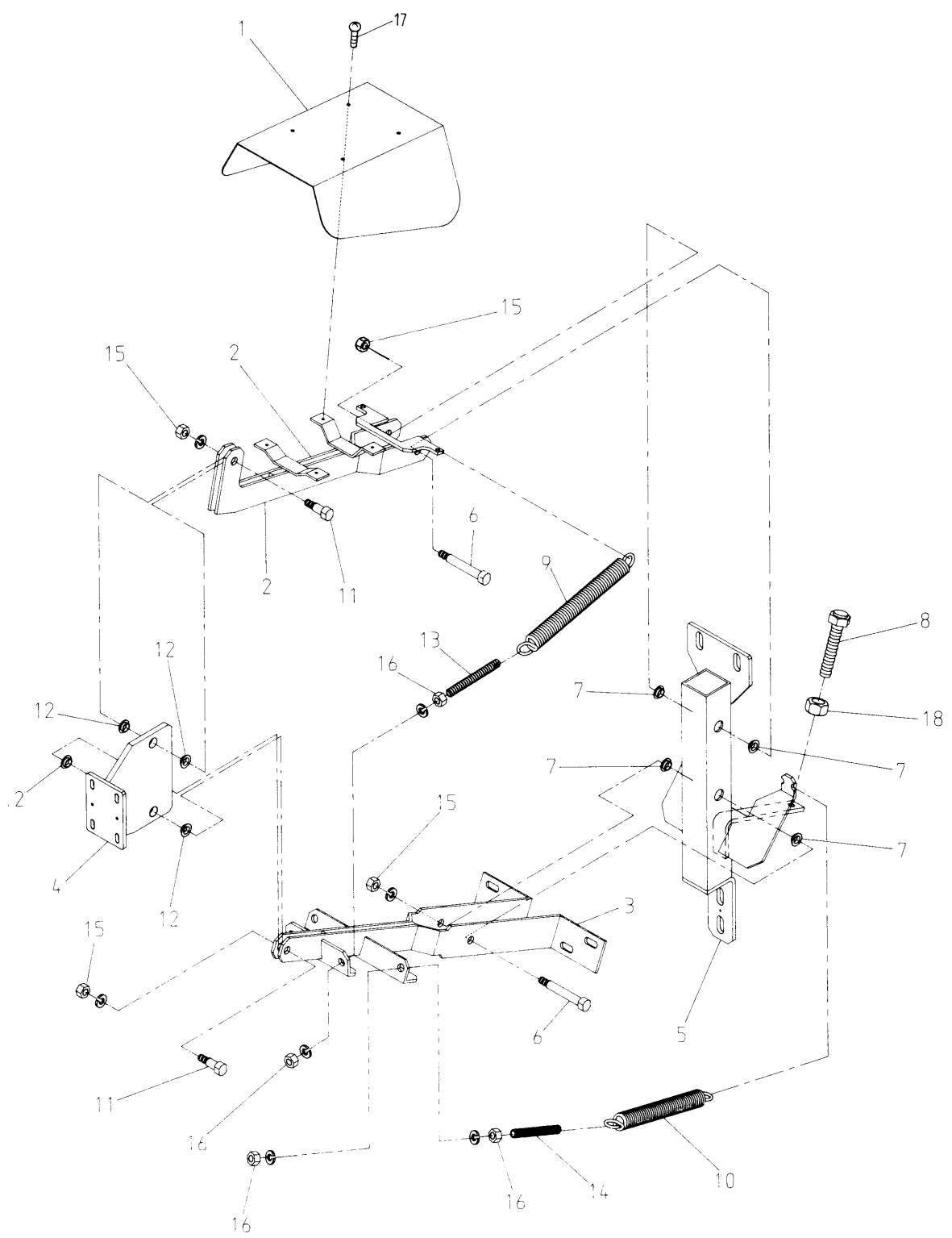


MODEL

**BEMRME-YS**  
**BEMSME-YS**  
**BEMXME-YS**

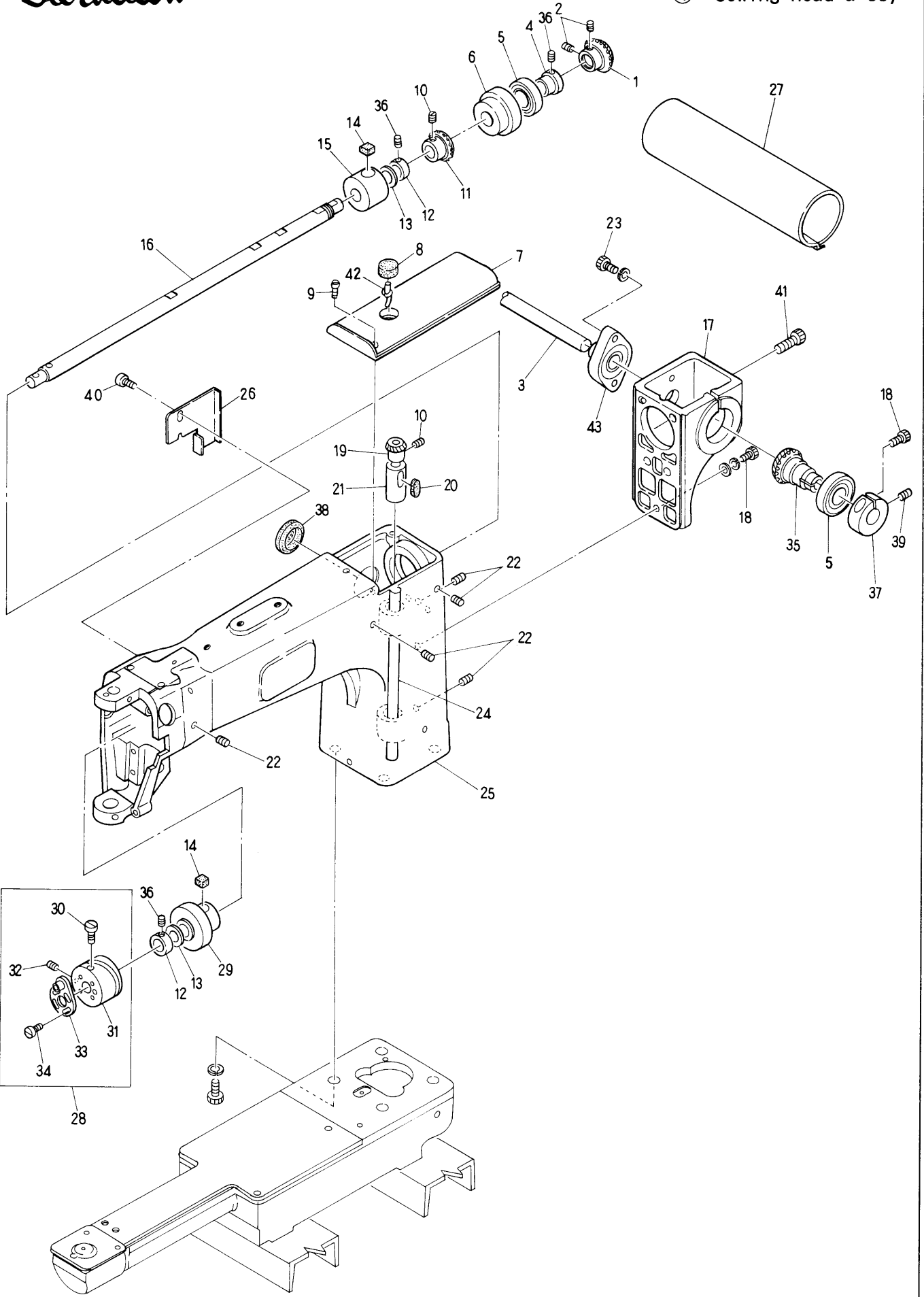






MODEL  
BEMRME-YS  
BEMSME-YS  
BEMXME-YS



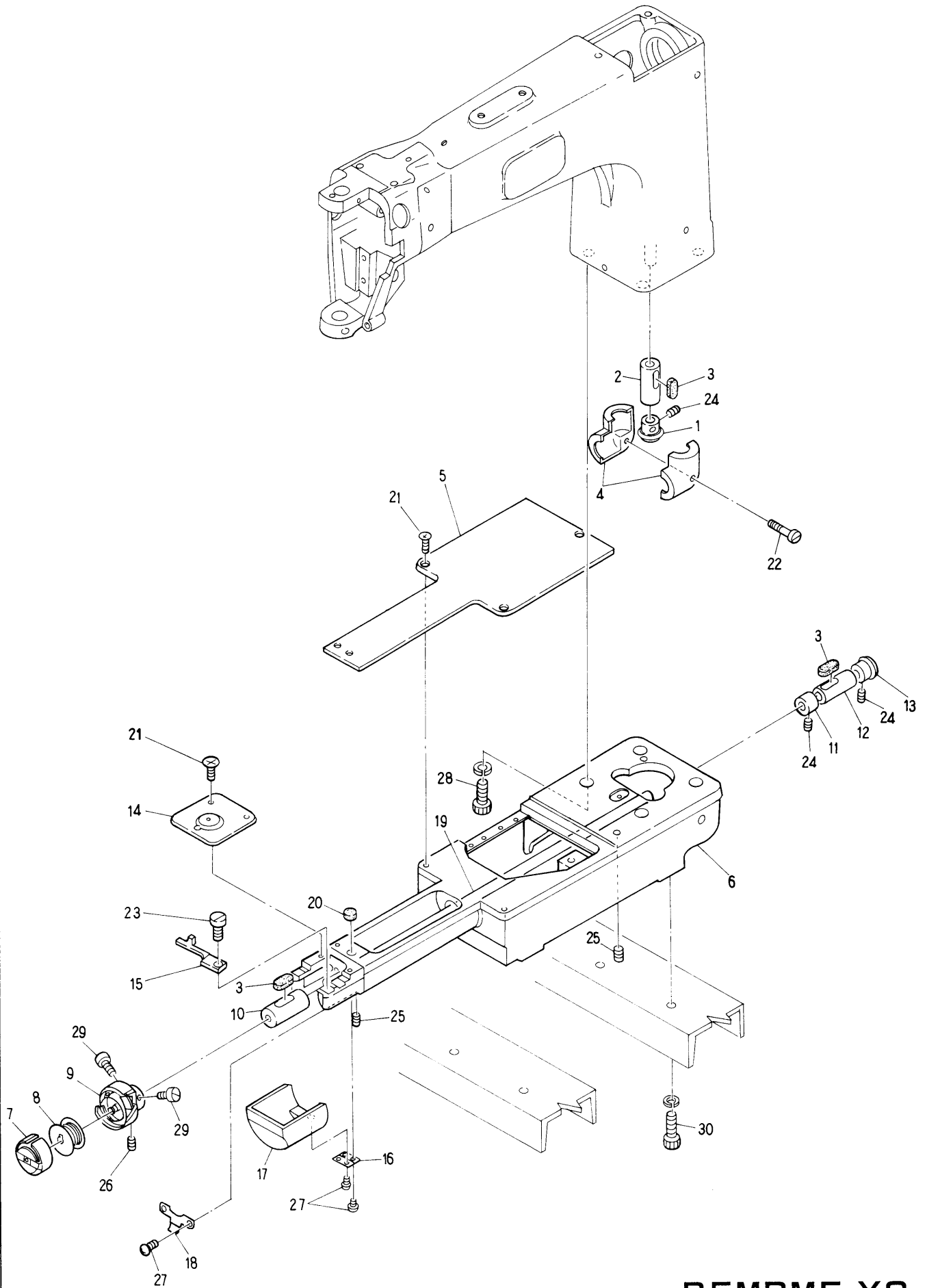


MODEL **BEMRME-YS**  
**BEMSME-YS**  
**BEMXME-YS**

## ④ Sewing head a' ssy

(H=Head Q' TY)

ITEM	LIST No	DESCRIPTION	Q'TY	REMARK
1	KL220100	Top Shaft (Spiral bevel M1.5-25R)	1/H	
2		Hex, socket set screw M6×6 (With adhesion)	2/H	
3		Top shaft connecting shaft φ15		
4	KL220090	Top shaft bearing collar (Rear)	1/H	
5	A9010017	Bearing (6004ZZ)	2/H	
6	KL220040	Top shaft bearing case (Rear)	1/H	
7	KL250040	Arm top cover	1/H	
8	KL220150	Oil felt D	1/H	
9		Truss screw M4×10		
10		Screw (SM1/4 40×4)		
11	KF220130	Bevelt gear (Top shaft)	1/H	
12	KL220080	Top shaft collar	2/H	
13	HP231390	Thrust washer (Top shaft gear)	2/H	
14	KL220130	Oil felt B	2/H	
15	KL220030	Top felt metal (Middle)	1/H	
16	KL220000	Top shaft	1/H	
17	KL210140	Arm gear case	1/H	
18		Hex, socket bolt M6×25		
19	KF220460	Bevel gear (Vertical shaft upper)	1/H	
20	KL220140	Oil felt C	1/H	
21	KL220050	Vertical metal (Upper)	1/H	
22		Hex, socket screw M6×8		
23		Hex, socket bolt M6×30		
24	KL220010	Vertical shaft	1/H	
25	KB210160	Arm	1/H	
26	KL250051	Arm side cable cover	1/H	
27	1PKD12380480	Connecting shaft cover set MSE-12 380/480	1 SET	
28	KB230010	Take up lever cam K 690° with crank	1/H	
29	KL220020	Top shaft metal (Front)	1/H	
30	KF230420	Take up lever cam set screw	1/H	
31	KB230030	Take up lever cam K6	1/H	
32		Screw (SM15/64 28×10) (With adhesion)	1/H	
33	KB230050	90° Crank	1/H	
34	A9012007	Screw (SM11/64 40×10)	1/H	
35	KL320000	Connecting gear (Spiral bevel M1.5-25L)	1/H	
36		Hex, socket set screw M6×6		
37	KL320020	Connecting gear clamp φ19	1/H	
38	A9014063	Grommet C-30-SG-36A	1/H	
39		Hex, socket set screw M6×10		
40		Truss screw M4×8		
41		Hex, socket bolt M6×60		
42	KC251330	Oil core L=75	1/H	

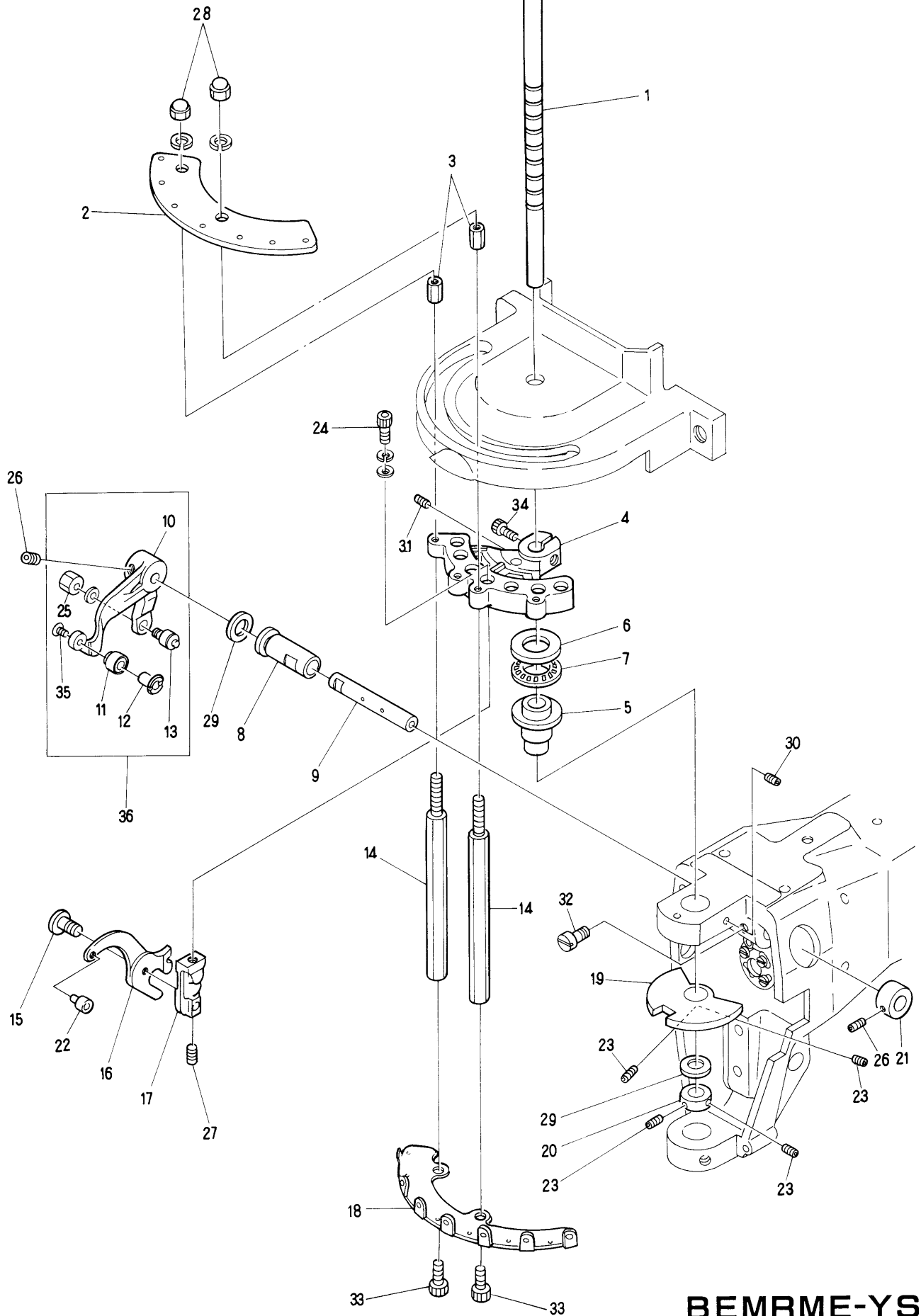


MODEL  
**BEMRME-YS**  
**BEMSME-YS**  
**BEMXME-YS**



Barudan

⑥ Take up lever mechanism



MODEL

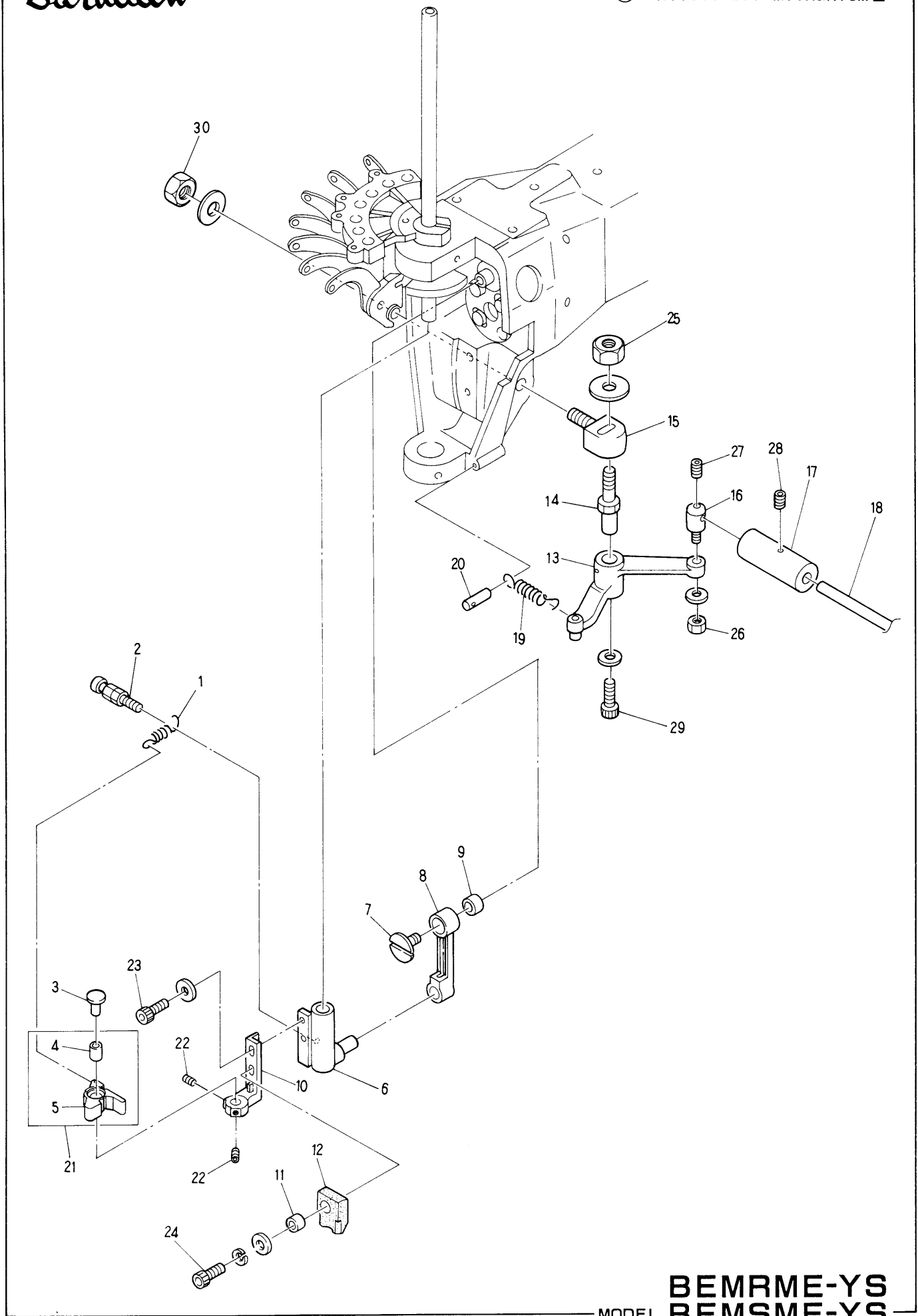
**BEMRME-YS**  
**BEMSME-YS**  
**BEMXME-YS**



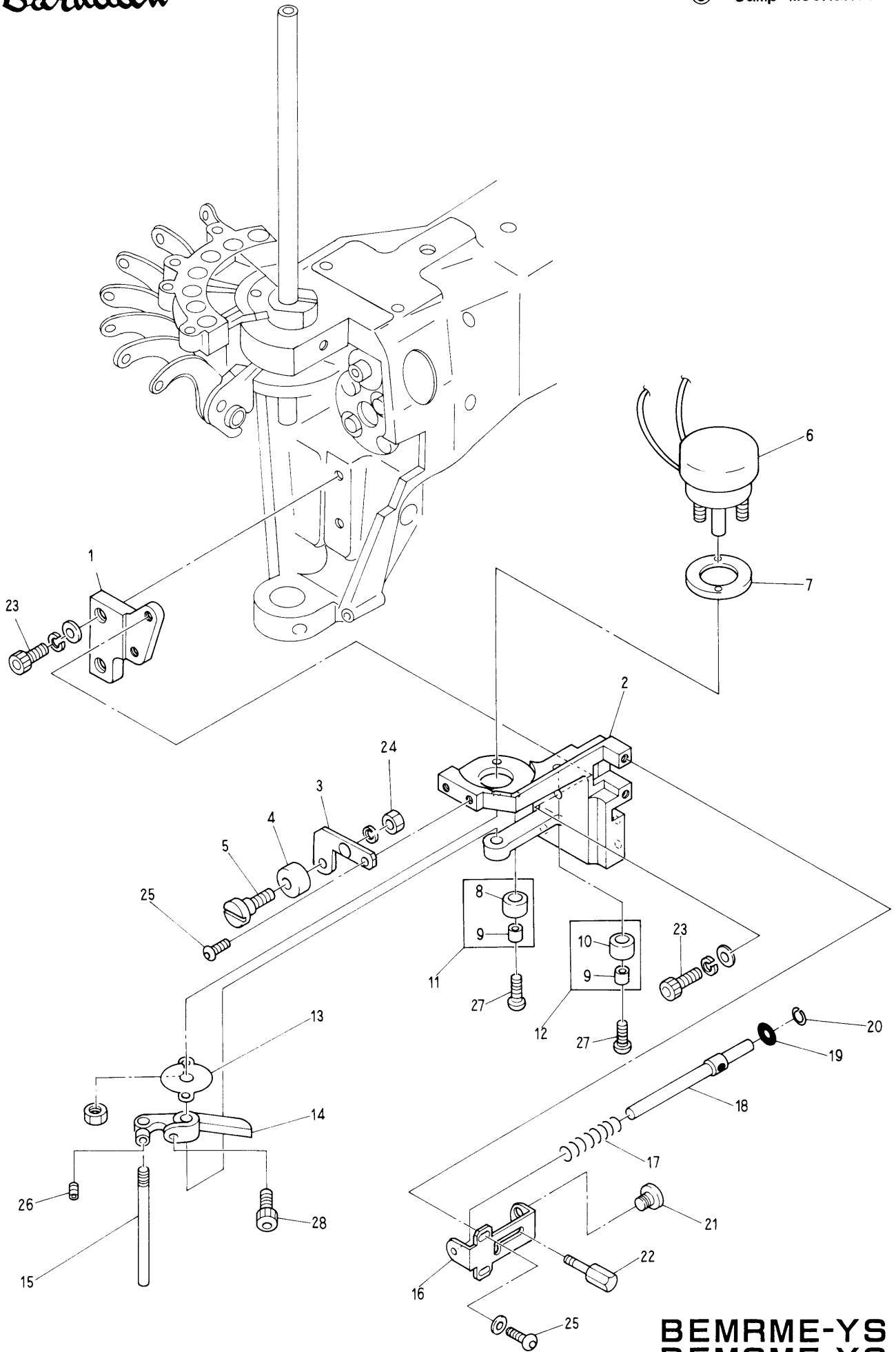












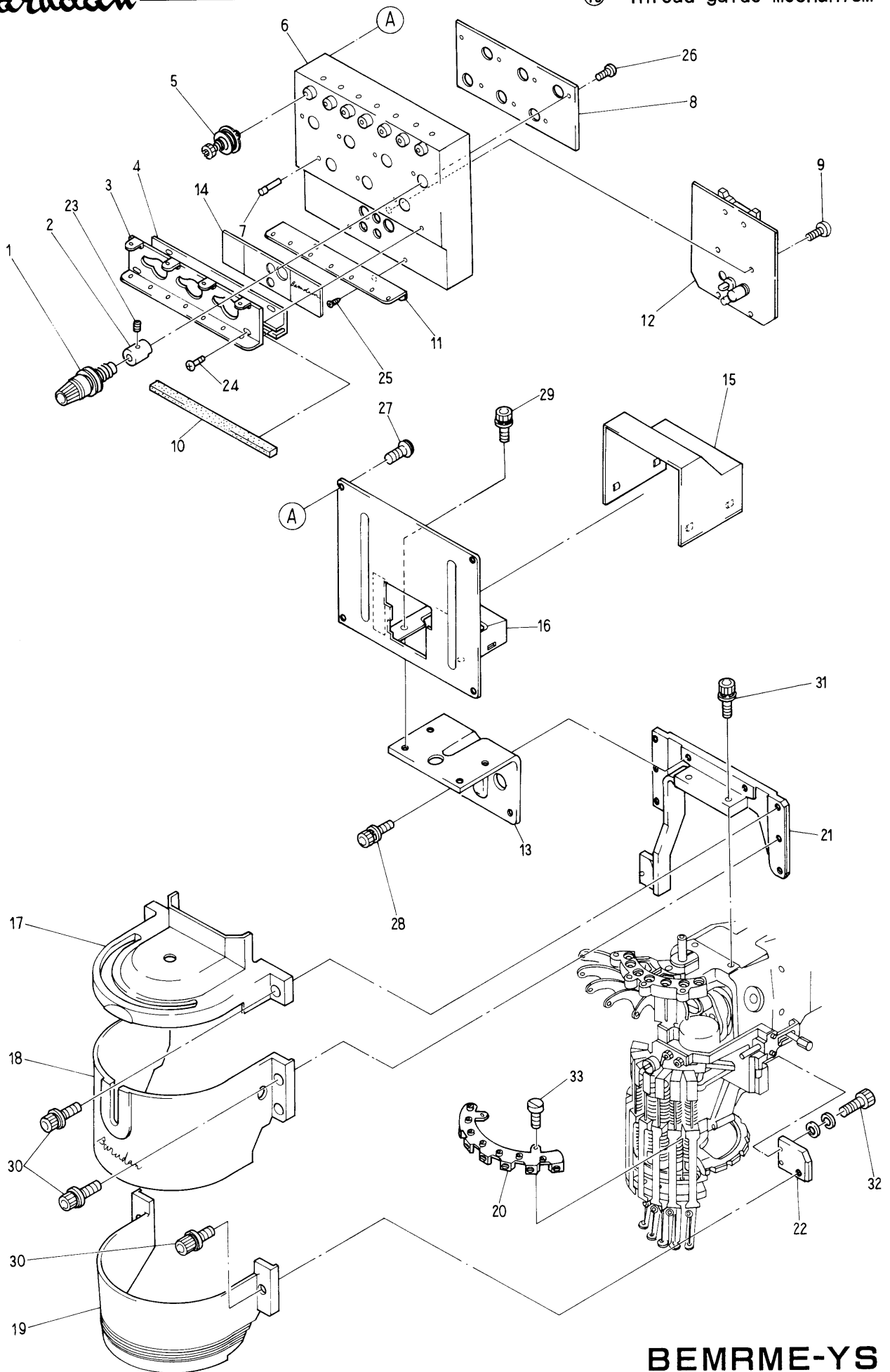
**BEMRME-YS**  
**BEMSME-YS**  
**BEMXME-YS**

MODEL



Barudan

⑩ Thread guide mechanism



MODEL  
BEMRME-YS  
BEMSME-YS  
BEMXME-YS



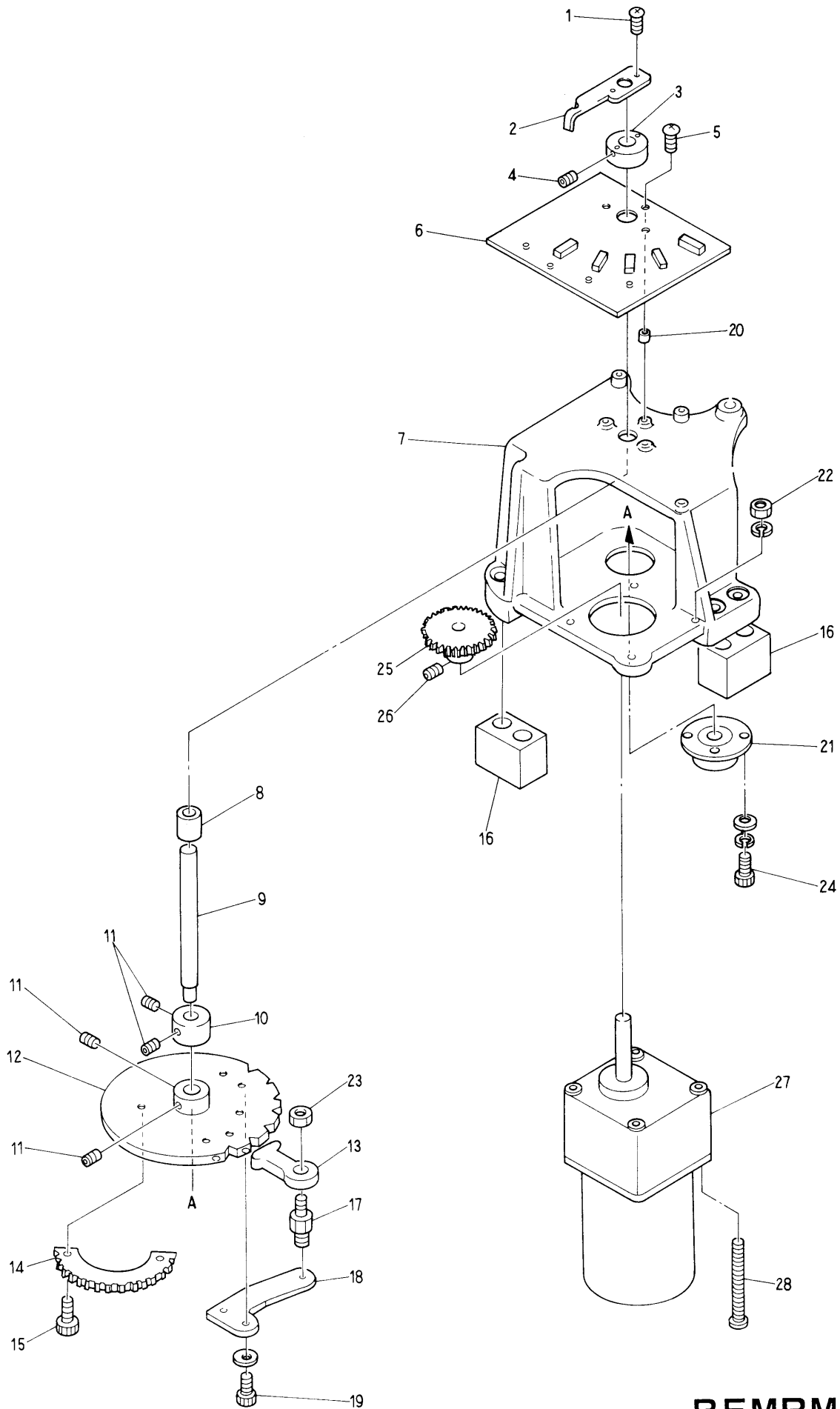
⑩ Thread guide mechanism

(H=Head Q'TY)

ITEM	LIST No.	DESCRIPTION	Q'TY	REMARK
1	HP241410	Dial type tension unit complete		YF...5/H YS...7/H
2	HP241150	Tension base (With screw)		YF...5/H YS...7/H
3	HP241180	First thread guide (7)	1/H	YS
	HP241170	First thread guide (5)	1/H	YF
4	HP241460	Thread guide felt fixing plate (7)	1/H	YS
	HP241450	Thread guide felt fixing plate (5)	1/H	YF
5	HP241440	Upper tension unit complete (D=13.5)		YF...5/H YS...7/H
6	HP241122	Tension base (7)	1	HP241160 YS HP241150
	HP241112	Tension base (5)	1	HP241160 YF HP241150
7	HP241160	Upper thread detection pin		YF...5/H YS...7/H
8	HP241381	Tension earth plate (7)	1/H	YS
	HP241371	Tension earth plate (5)	1/H	YF
9		Tapping screw 2 × 8		
10	HP241480	Thread guide felt (7)	1/H	YS
	HP241470	Thread guide felt (5)	1/H	YF
11	HB240260	Second thread guide plate (7)	1/H	YS
	HB240270	Second thread guide plate (5)	1/H	YF
12	EBY01070	4613 Head board	1/H	
13	KB240051	Tension base bracket	1/H	
14	KU241400	Tension base label	1/H	
15	KB240100	Tension cable cover	1/H	
16	KB240060	Tension base (7)	1/H	YS
	KB240070	Tension base (5)	1/H	YF
17	KB250020	Sewing head cover A	1/H	
18	KB250030	Sewing head cover B	1/H	
19	KB250040	Sewing head cover C	1/H	
20	KG250010	Thread end trap unit a'ssy (7)	1/H	YS
	HP250050	Thread end trap unit a'ssy (5)	1/H	YF
21	KB250050	Sewing head cover fixing bracket	1/H	
22	KB250060	Sewing head cover fixing stay	1/H	
23		Set screw (SM11/64 40×5.5)		
24		Truss screw M4 × 6		
25		Tapping screw M3.5 × 8		
26		Pan screw M3 × 4		
27		Pan screw with washer M4 × 8		
28		Hex, socket bolt with washer M5 × 15 (With adhesion)	2/H	
29		Hex, socket bolt with washer M5 × 10 (With adhesion)	4/H	
30		Hex, socket bolt M4 × 6		
31		Hex, socket bolt with washer M5 × 10 (With adhesion)	2/H	
32		Hex, socket bolt M4 × 15		
33		Screw (SM9/64 40×10)		

Barudan

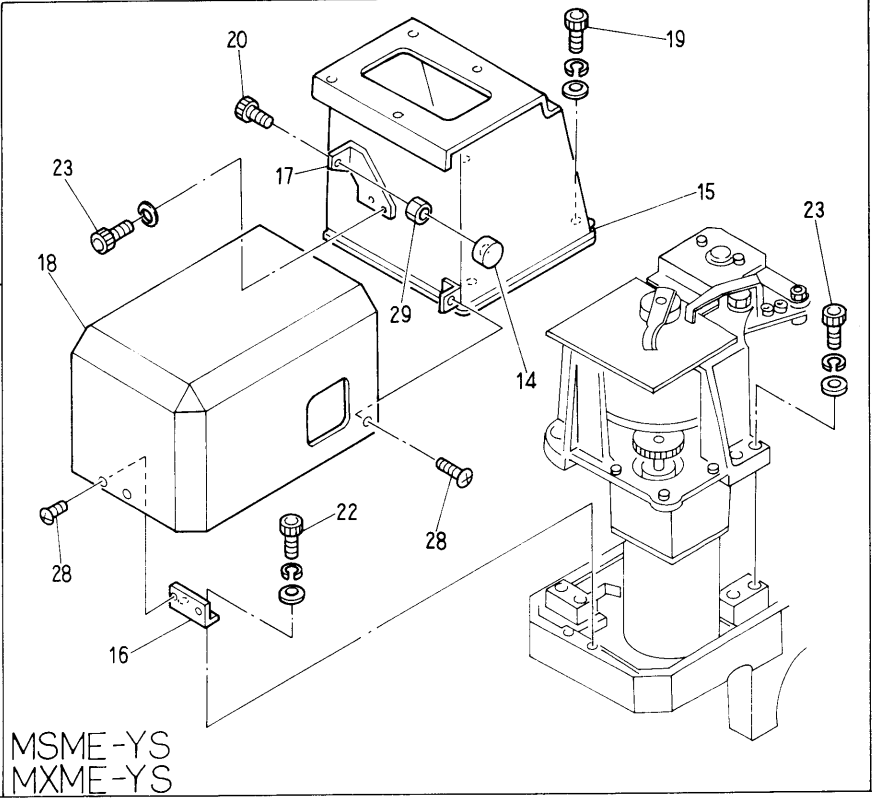
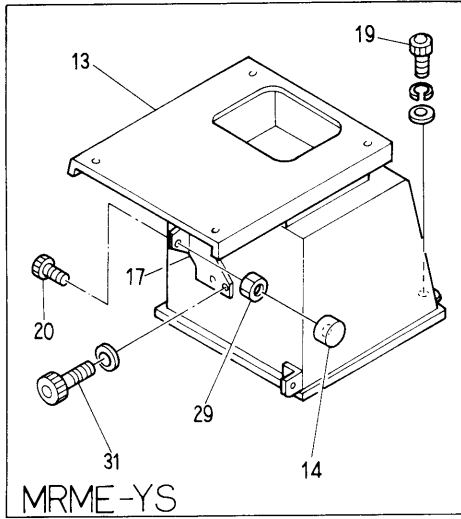
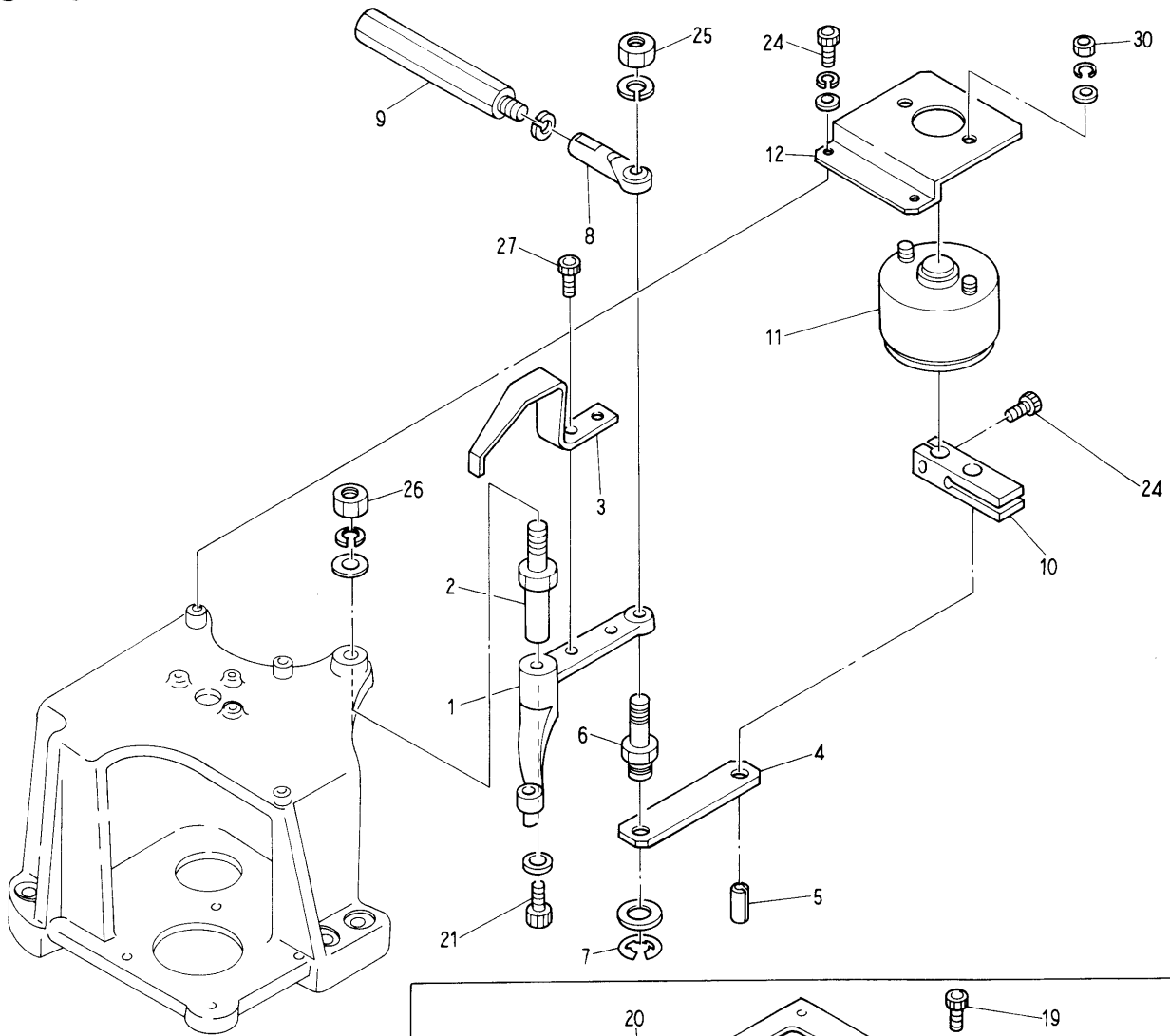
⑪ Color change mechanism I



MODEL

BEMRME-YS  
BEMSME-YS  
BEMXME-YS

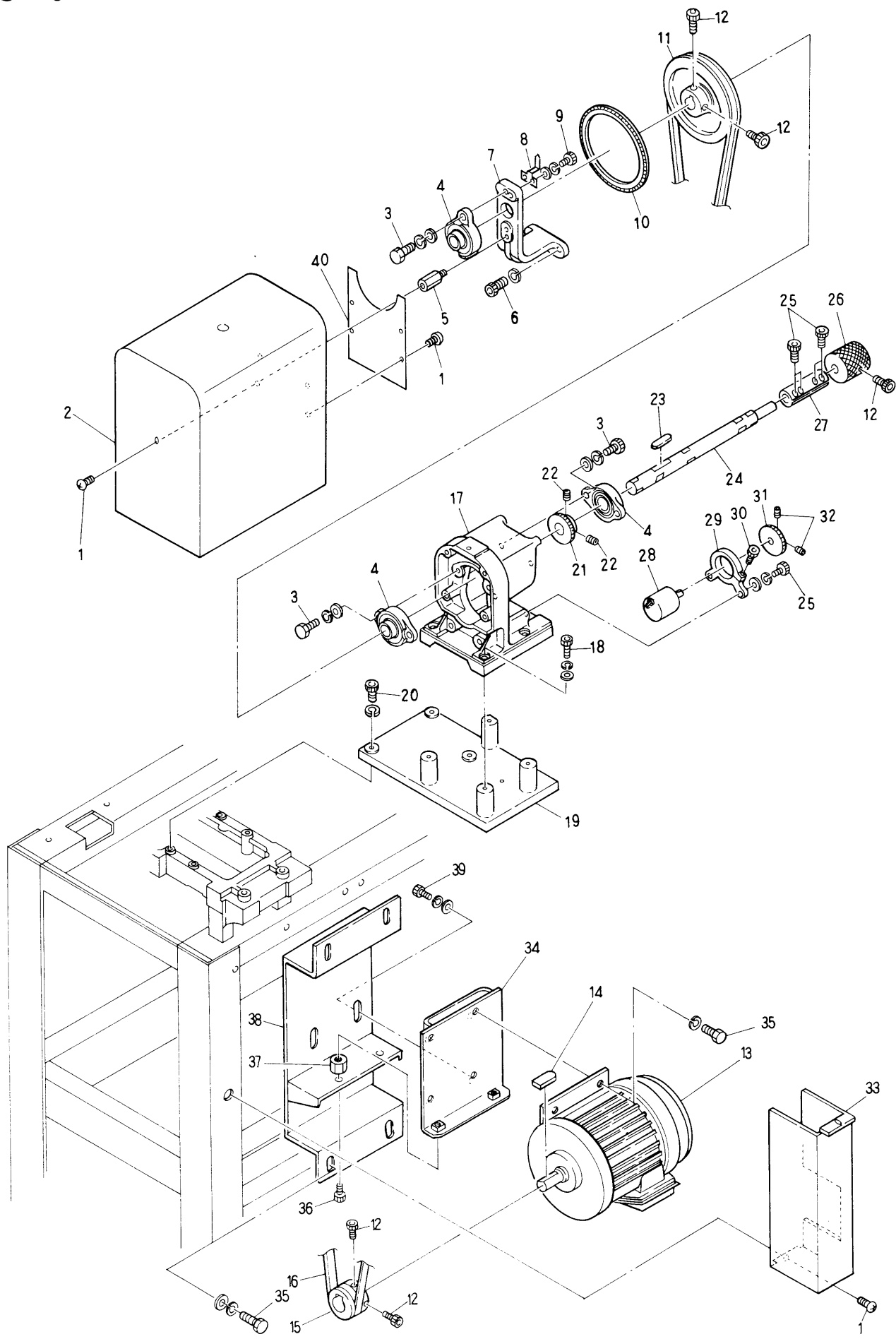




MODEL

**BEMRME-YS**  
**BEMSME-YS**  
**BEMXME-YS**





MODEL

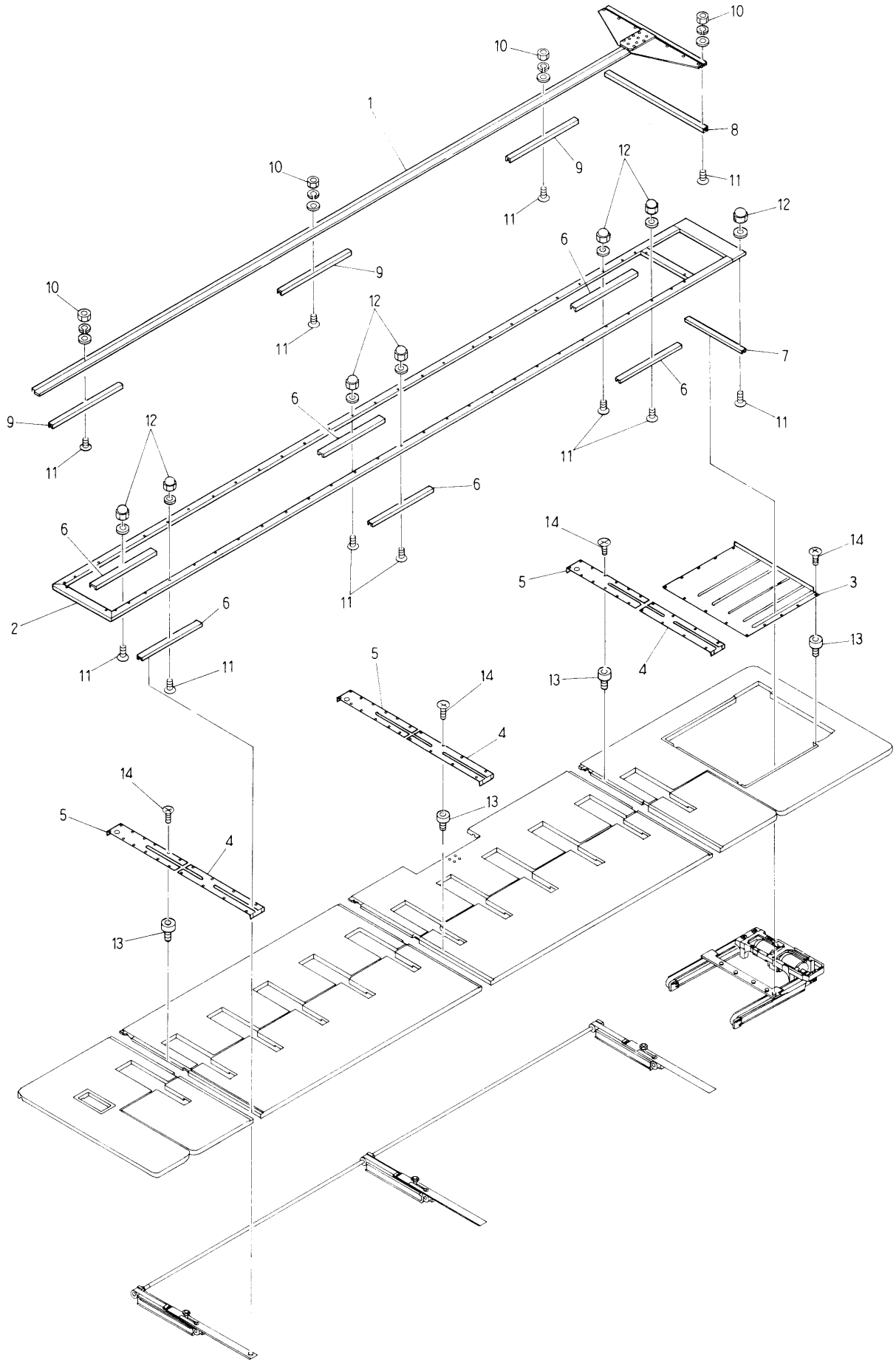
**BEMRME-YS**  
**BEMSME-YS**  
**BEMXME-YS**

⑬ Drive mechanism

ITEM	LIST No.	DESCRIPTION	Q'TY	REMARK
1		Truss screw M4×10		
2	KK310030	Belt cover (Upper)	1	
3		Hex. bolt M8×25		
4	A9011017	Bearing unit (BLF 204)	3	
5	KN312940	Belt cover stay	1	
6		Hex. socket bolt M8×25		
7	KN315130	Brake box bearing	1	
8	KN310050	Angle gauge	1	
9		Hex. socket bolt M4×10		
10	KN313670	Angle label (A)	1	
11	KN310000	Driving pulley φ152.2	1	
12		Hex. socket screw M6×12		
13	KN315110	Motor (IK-FBK8-4P-0.55KW, VF3 200V)	1	
14		Key 6×6×32	1	
15	KN310010	Motor pulley φ48.6	1	
16	A9020200	V-Belt (4PK-1240)	1	
17	KN312810	Brake box	1	
18		Hex. socket bolt M6×35		
19	KK310040	Brake box base	1	
20		Hex. socket bolt M6×40		
21	KC312911	Encoder driving gear No.1	1	
22		Hex. socket set screw M5×8		
23	WW310210	Key 6×6×35	1	
24	KN312820	Brake shaft	1	
25		Hex. socket bolt M6×20		
26	KC320590	Hand pulley	1	
27	HH320550	Upper shaft connecting coupling	1	
28	KN511020	Position coder 051 (for Embroidery machine)	1	
29	KC312890	Encoder retainer	1	
30		Truss screw M4×15		
31	KC312921	Encoder driving gear No.2	1	
32		Hex. socket set M4×8		
33	KL310100	Belt cover (下)	1	
34	KL310071	Motor fixing bracket	1	
35		Hex. bolt M8×20		
36		Hex. bolt M8×55		
37		Hex. nut M8		
38	KL310081	Motor base	1	
39		Hex. socket bolt M8×20		
40	KK310020	Belt encoder cover (Upper)	1	

Barudan

⑭ Pantograph drive mechanism I  
(Pantograph, Cover)

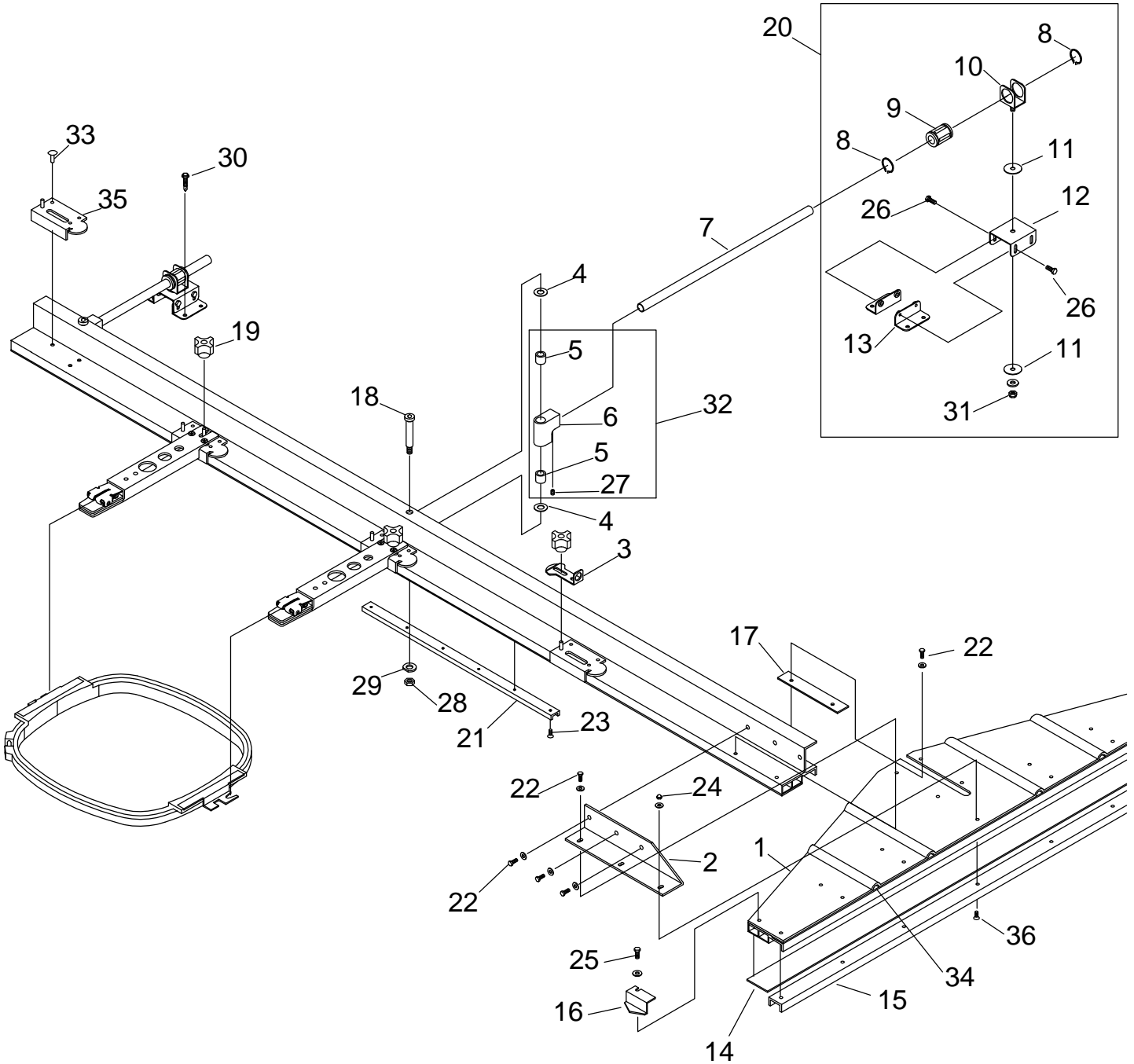


MODEL  
**BEMRME-YS**  
**BEMSME-YS**  
**BEMXME-YS**





# American Pantograph Addendum



(For 12, 15, and 20 head U.S. built machines)

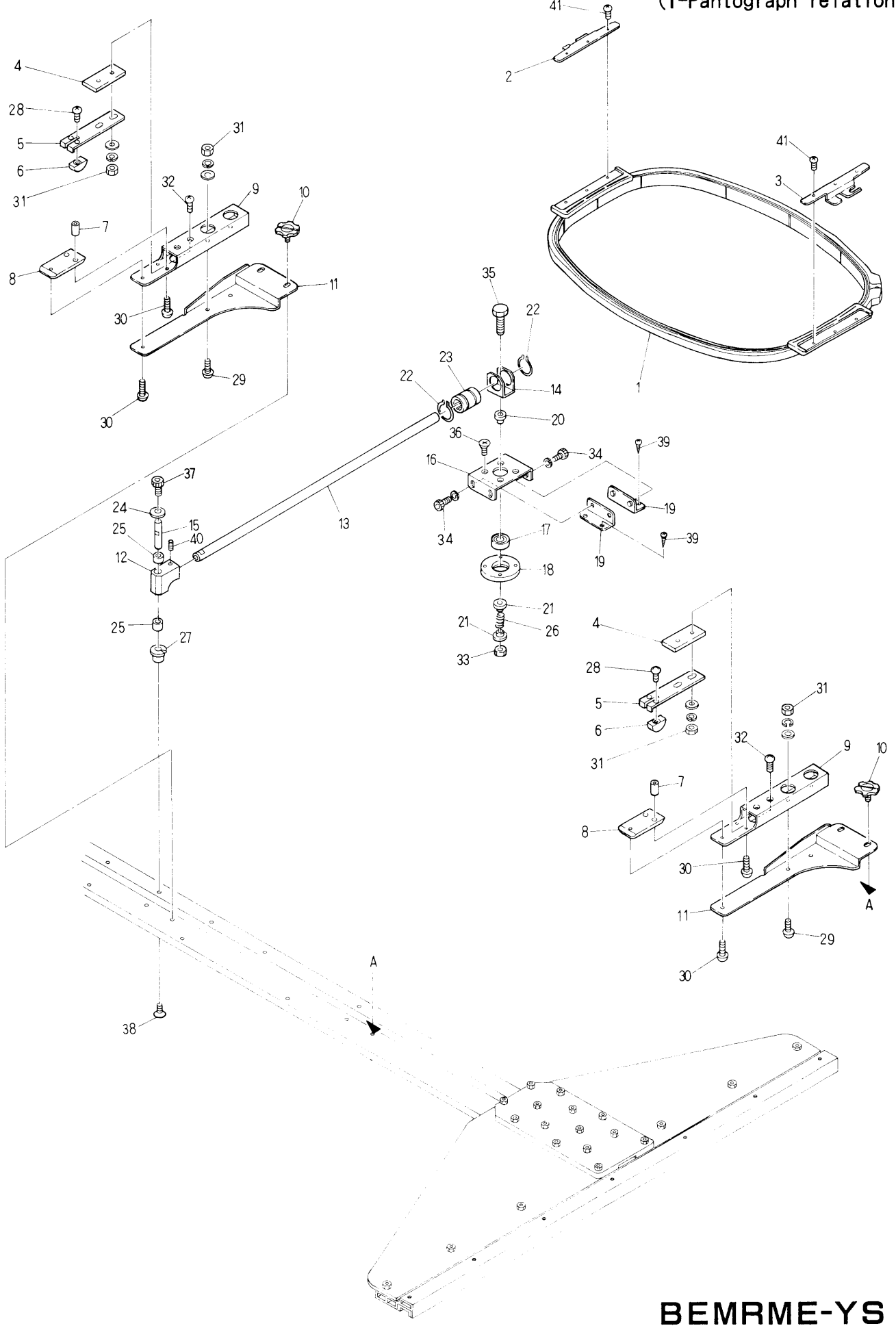






Barudan

⑮ Pantograph drive mechanism II  
(T-Pantograph relation)

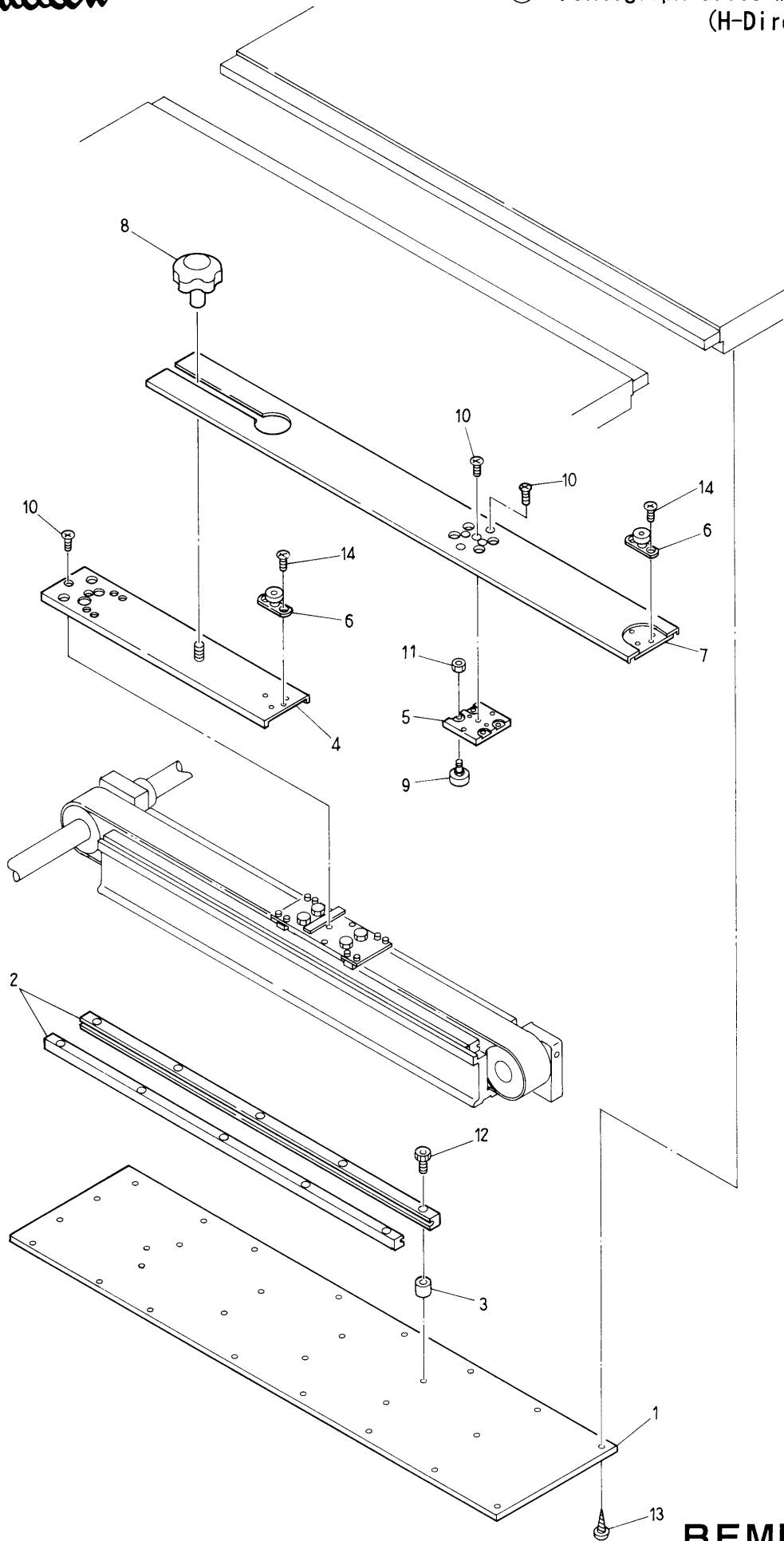


BEMRME-YS  
BEMSME-YS  
BEMXME-YS

MODEL

⑮ Pantograph drive mechanism II (T-Pantograph relation)

ITEM	LIST No.	DESCRIPTION	Q'TY	REMARK
1	FR92300290A	Square pantograph 320×290	1 2	
2	FR600528	Metal for allot wood frame (No.1) R	1 2	
3	FR600529	Metal for allot wood frame (No.1) L	1 2	
4	HS460200	Fixing spacer	1 3	
5	HS460030	Frame fixing spring No.2	1 3	
6	HS460050	Frame fixing block	2 6	
7	HS460210	Frame fixing the position pin	2 6	
8	KK460130	Frame slide plate	1 3	
9	KK460050	Fixing base	1 3	
10	HS730000	Knurling screw for pantograph	2 6	
11	KK460061	Fixing stay	1 3	
12	KK460070	Rotation block	6	
13	KK460090	Pantograph set driving shaft	6	
14	KK460040	Bush fixing bracket	6	
15	KK460080	Rotation shaft B	6	
16	KK460010	Pantograph set base (Upper)	6	
17	A9010036	Bearing (6900ZZ )	6	
18	KK460031	Bearing set plate	6	
19	KK460000	Pantograph set base (Lower)	1 2	
20	KK460020	Rotation shaft A	6	
21	KK460120	Spring set plate	1 2	
22	A9012064	C-Ring (For shaft) 21	1 2	
23	A9011131	Slide bush SM12GUU	6	
24	A9012164	Thrust washer R-TW 0815	6	
25	A9011132	DU bush MB0805	1 2	
26	KK460140	Pantograph set spring	6	
27	A9012264	DU bush (MB0808-15FDU)	6	
28		Truss screw M3×3		
29		Truss screw M3×7		
30		Truss screw M3×5		
31		Hex, nut M3		
32		Truss screw M3×10		
33		U-Nut M5		
34		Hex, socket M5×10		
35		Hex, bolt M5×25		
36		Flush screw M4×10		
37		Hex, socket bolt M4×8		
38		Flush screw M4×12		
39		Bind tapping screw 4.5×24		
40		Hex, socket set screw M6×8		
41		Flush screw M3×6		



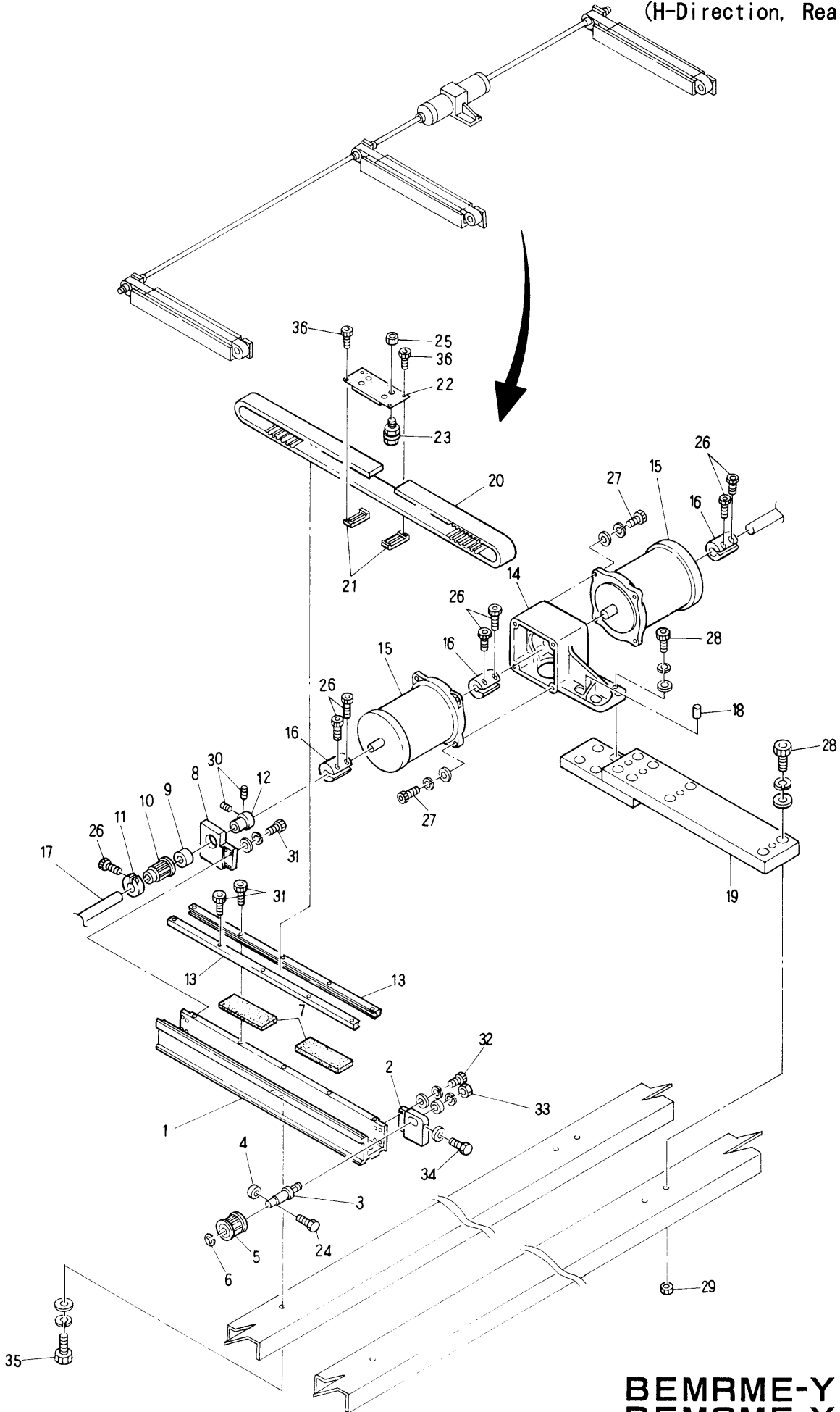
MODEL

BEMRME-YS  
BEMSME-YS  
BEMXME-YS





⑰ Pantograph drive mechanism IV  
(H-Direction, Rear I)



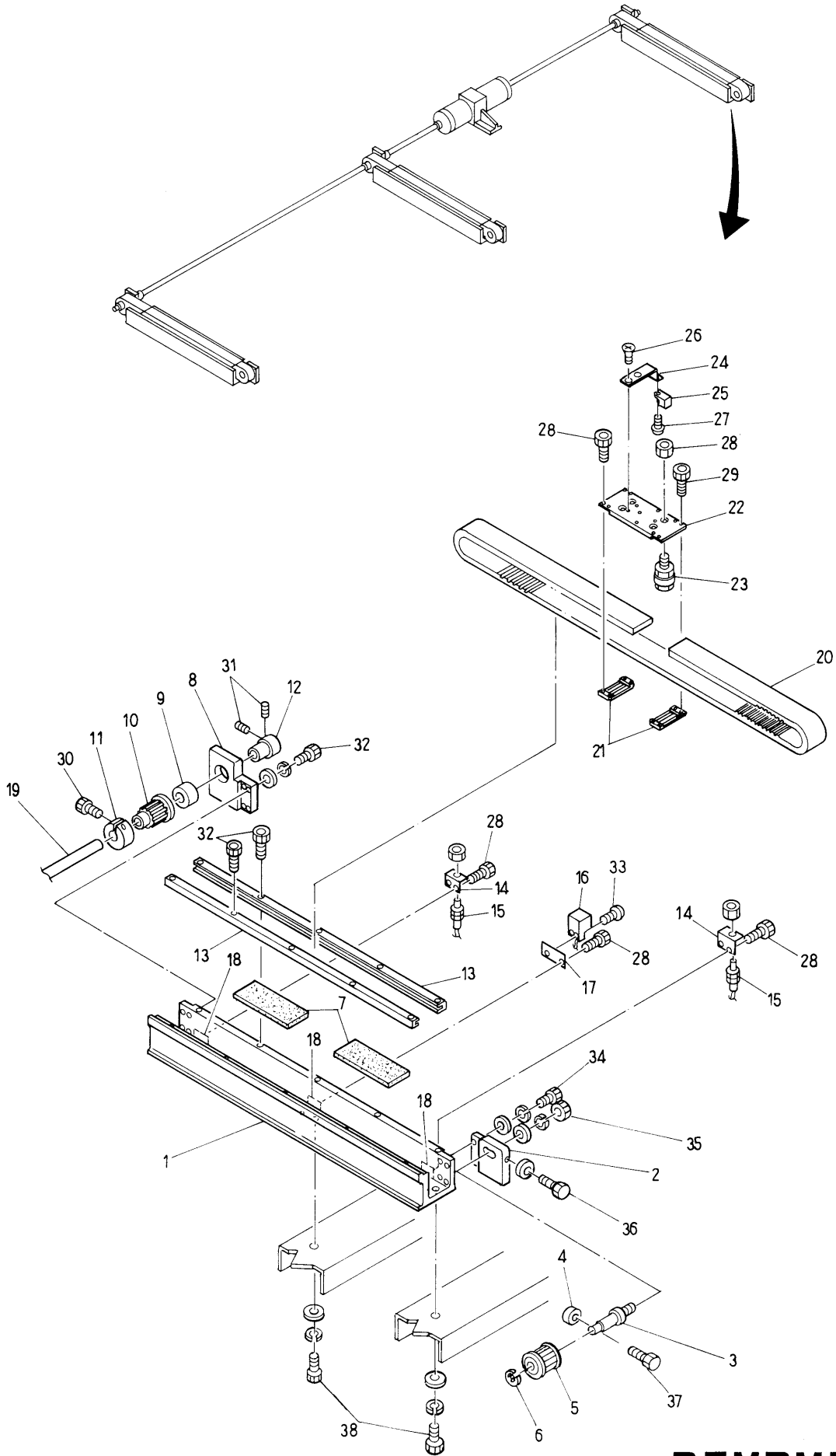
MODEL

BEMRME-YS  
BEMSME-YS  
BEMXME-YS



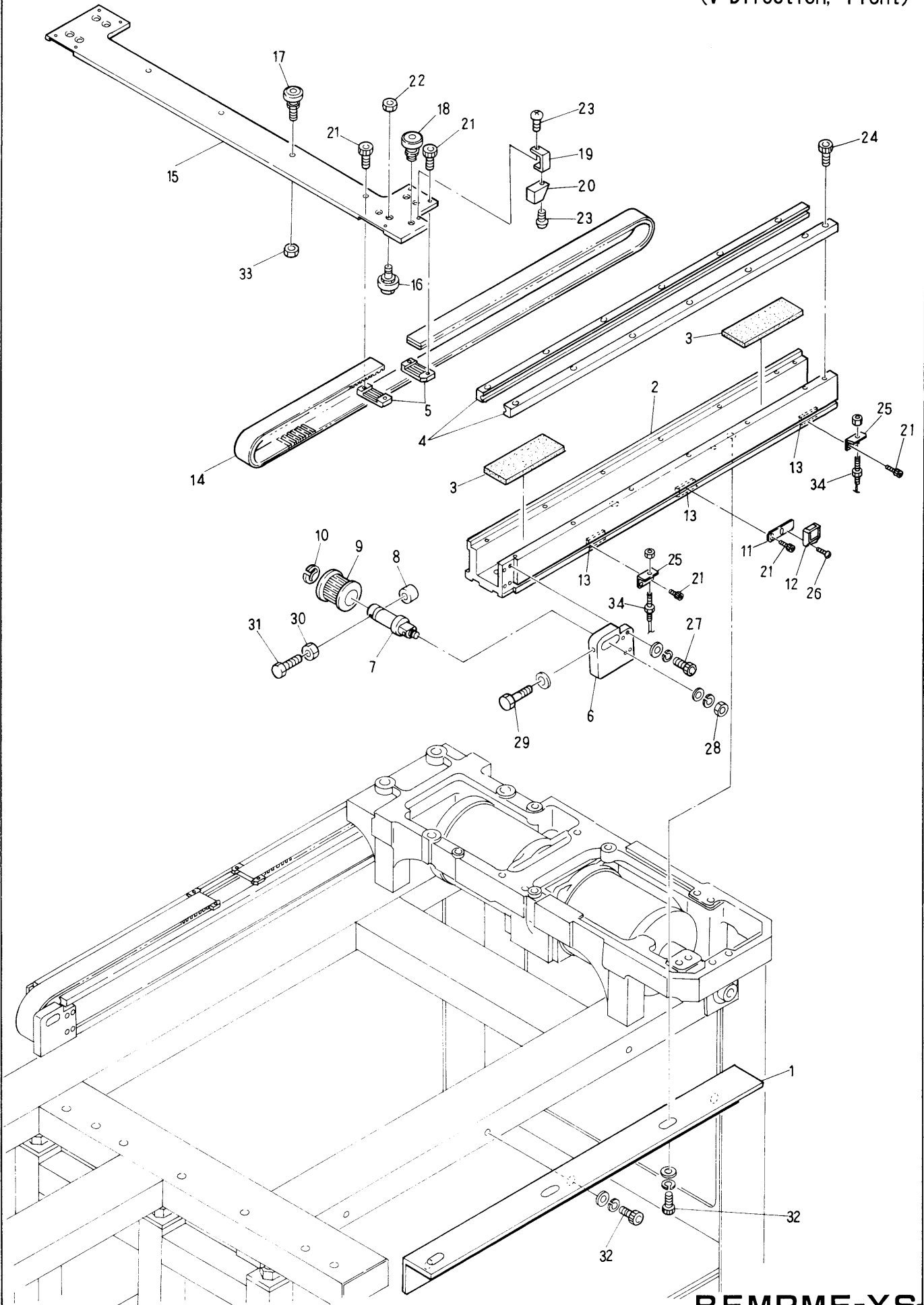
Barudan

⑱ Pantograph drive mechanism V  
(H-Direction, Rear II)



MODEL BEMRME-YS  
BEMSME-YS  
BEMXME-YS

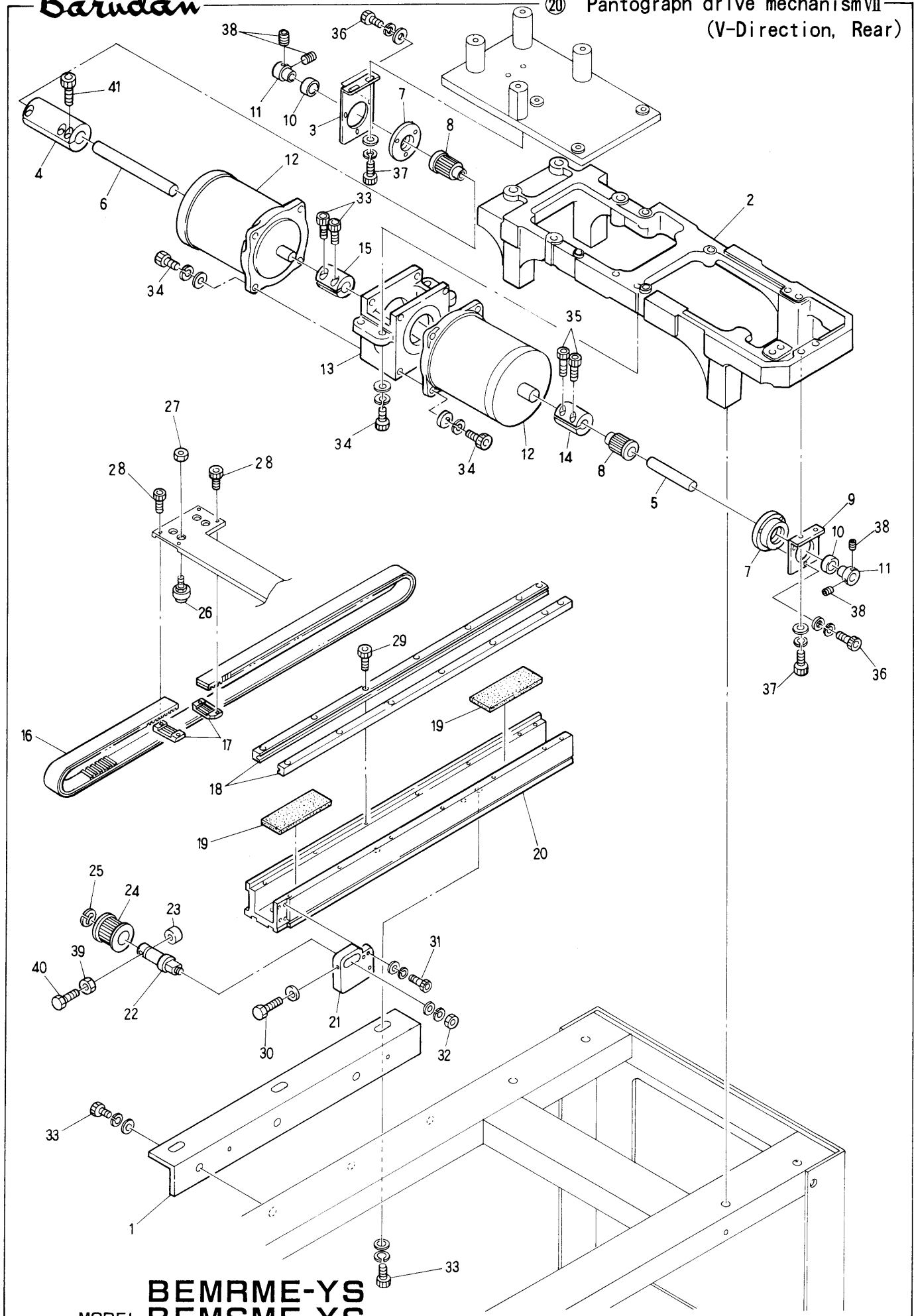






Бардан

20 Pantograph drive mechanism VII  
(V-Direction, Rear)



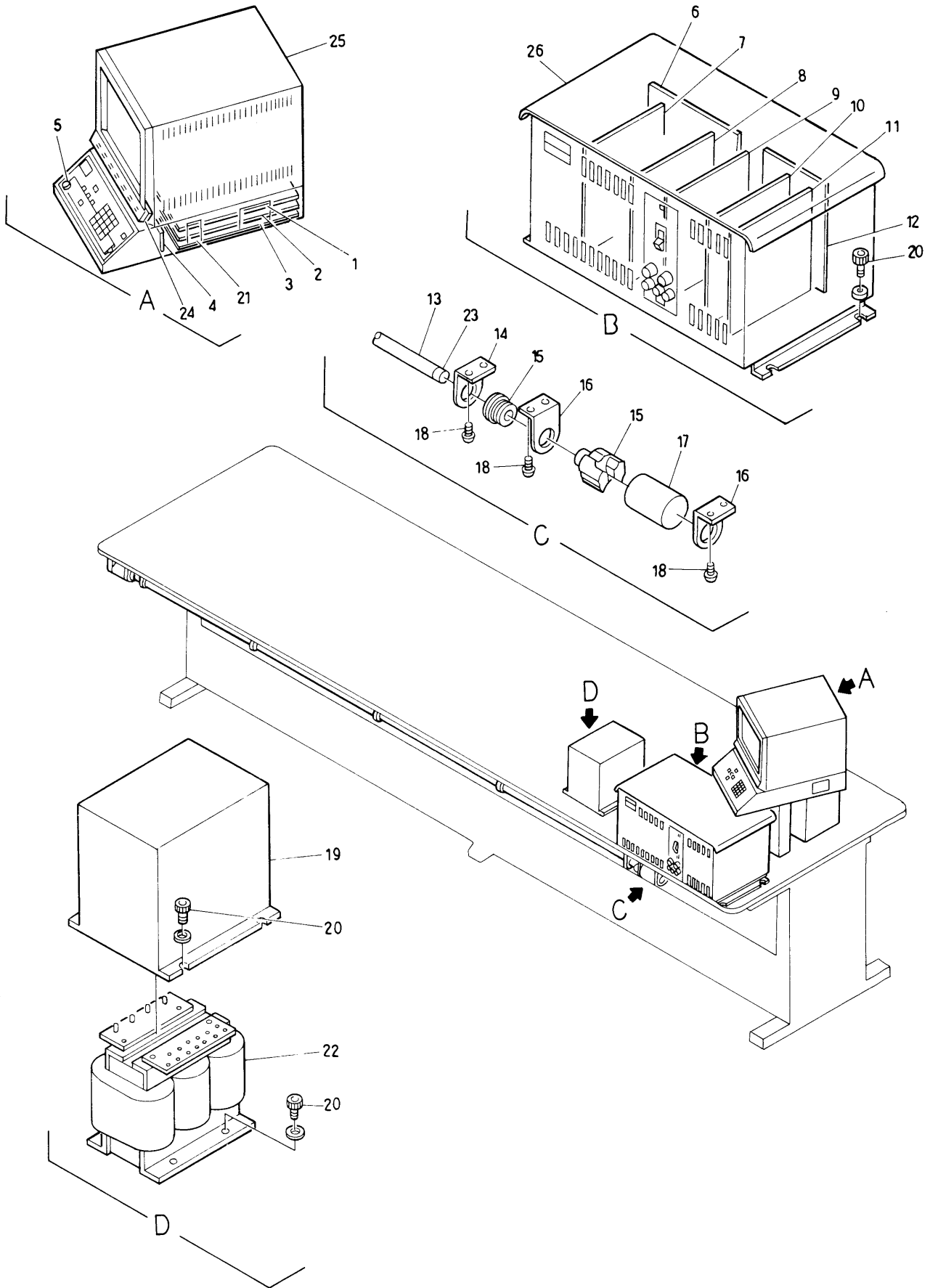
MODEL

**BEMRME-YS**  
**BEMSME-YS**  
**BEMXME-YS**



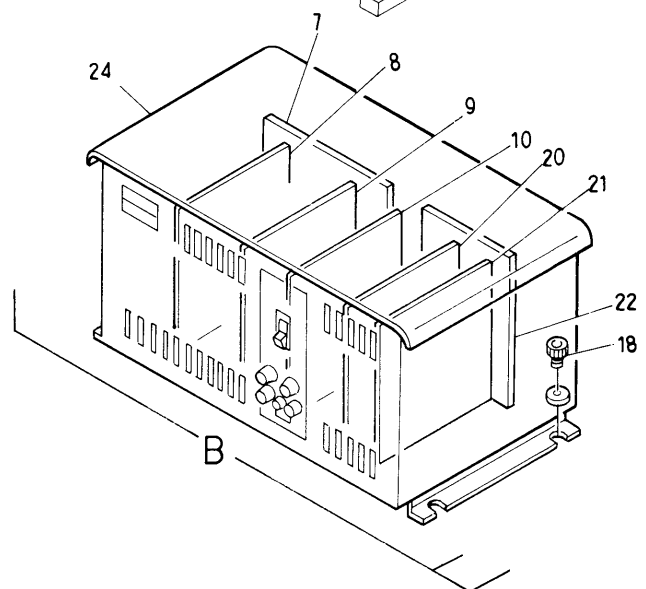
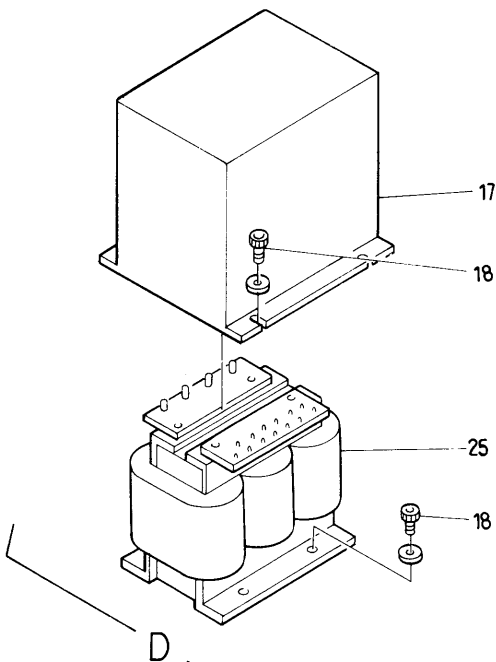
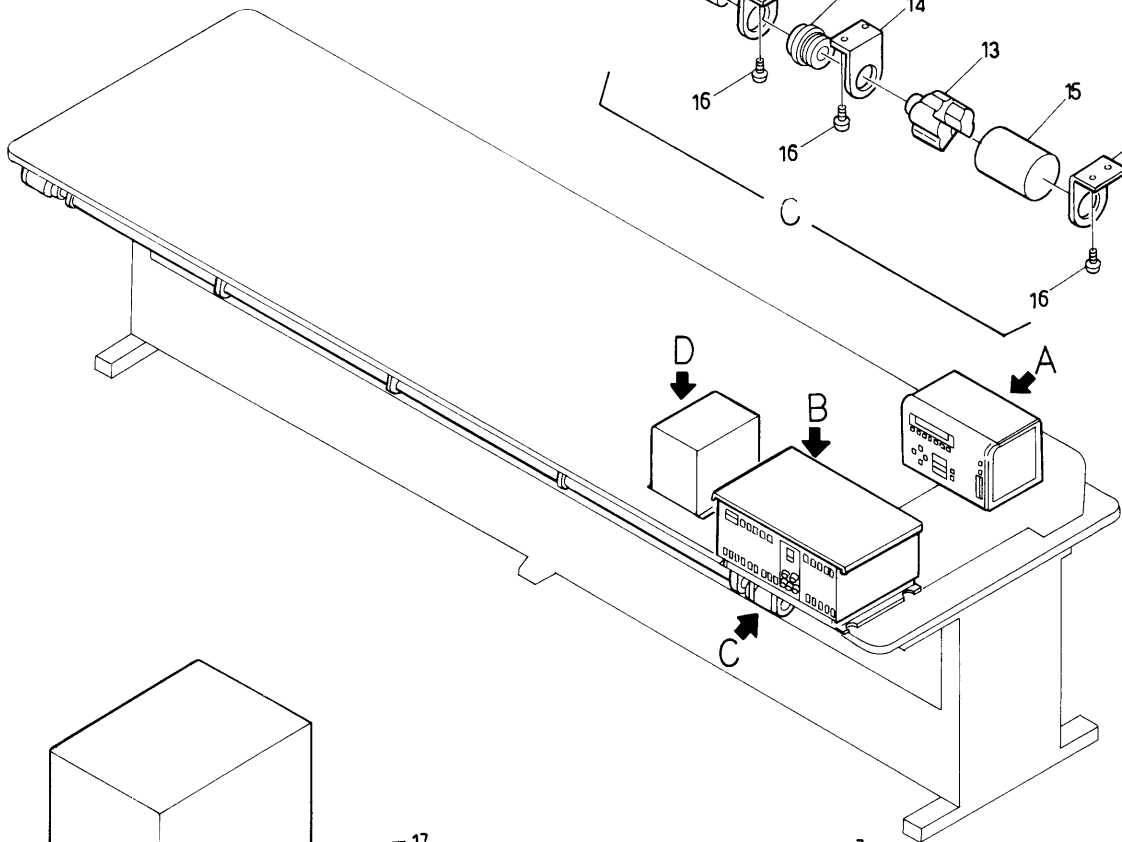
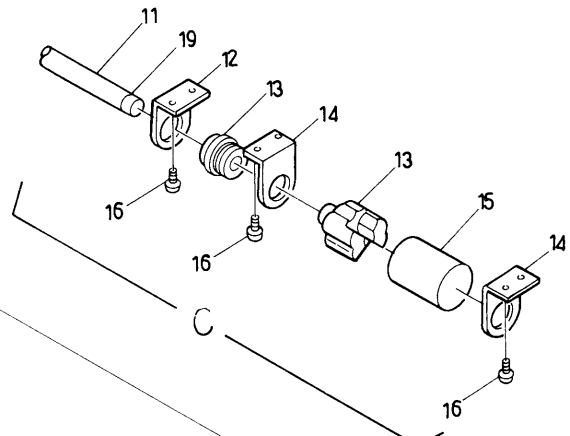
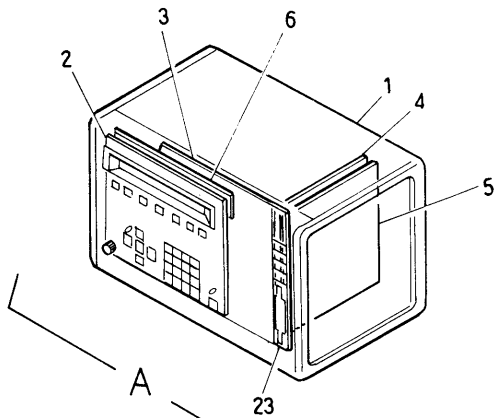
⑳ Pantograph drive mechanismVII (V-Direction, Rear)

ITEM	LIST No.	DESCRIPTION	Q'TY	REMARK
1	KK480020	V-Guide rail base (Rear)	1	
2	KK310060	Control base unit	1	
3	KK310000	Bearing bracket	1	
4	KK310010	Clamping $\phi$ 19 with coupling	1	
5	KN490140	V-Timing belt shaft	1	
6	KK310050	V-Timing belt shaft	1	
7	KN490130	V-Timing belt shaft bearing housing	2	
8	HP482990	Pantograph driving pulley (Rear) (S5M)	2	
9	KN490121	Bearing bracket	1	
10	A9011110	Needle bearing HK2016	2	
11	HH481970	Pulse motor connecting shaft collar	2	
12	HH481900	Pulse motor (4M)	2	
13	KN470161	V-Pulse motor bracket	1	
14	KN490150	V-Pulse motor coupling	1	
15	HH481931	V-Pulse motor coupling	1	
16	A9020098	Timing belt (300S 5M2000)	1	
17	HP482940	Timing belt set rack (5M)	2	
18	KN483450	V-Guide rail (L=660)	2	
19	KN480061	Rail base felt (100×38×6)	2	
20	KN483420	V-Guide rail base (Stroke 480)	1	
21	KN482000	H-Guide front pulley bracket	1	
22	HH481991	Timing pulley shaft	1	
23	HH482110	Pulley shaft bolt cap	1	
24	HP482980	Pantograph driving pulley (Front) (S5M)	1	
25	A9012052	E-Ring ( $\phi$ 10)	1	
26	HP482950	Roller pin a'ssy A	4	
27		Hex, nut M5		
28		Hex, socket bolt M3×6		
29		Hex, socket bolt M4×15		
30		Hex, bolt M4×25		
31		Hex, socket bolt M4×18		
32		Hex, nut M8		
33		Hex, socket bolt M8×20		
34		Hex, socket bolt M6×25	2	
35		Hex, socket bolt M5×28	2	
36		Hex, socket bolt M4×8		
37		Hex, socket bolt M5×12		
38		Hex, socket set M5×8		
39		Hex, nut M4		
40		Hex, bolt M4×25		
41		Hex, socket bolt M5×15		

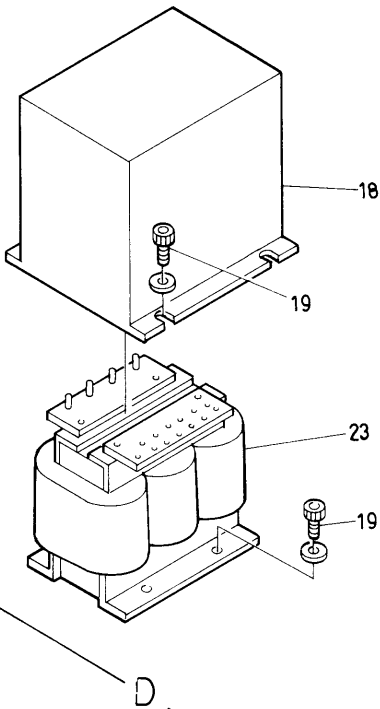
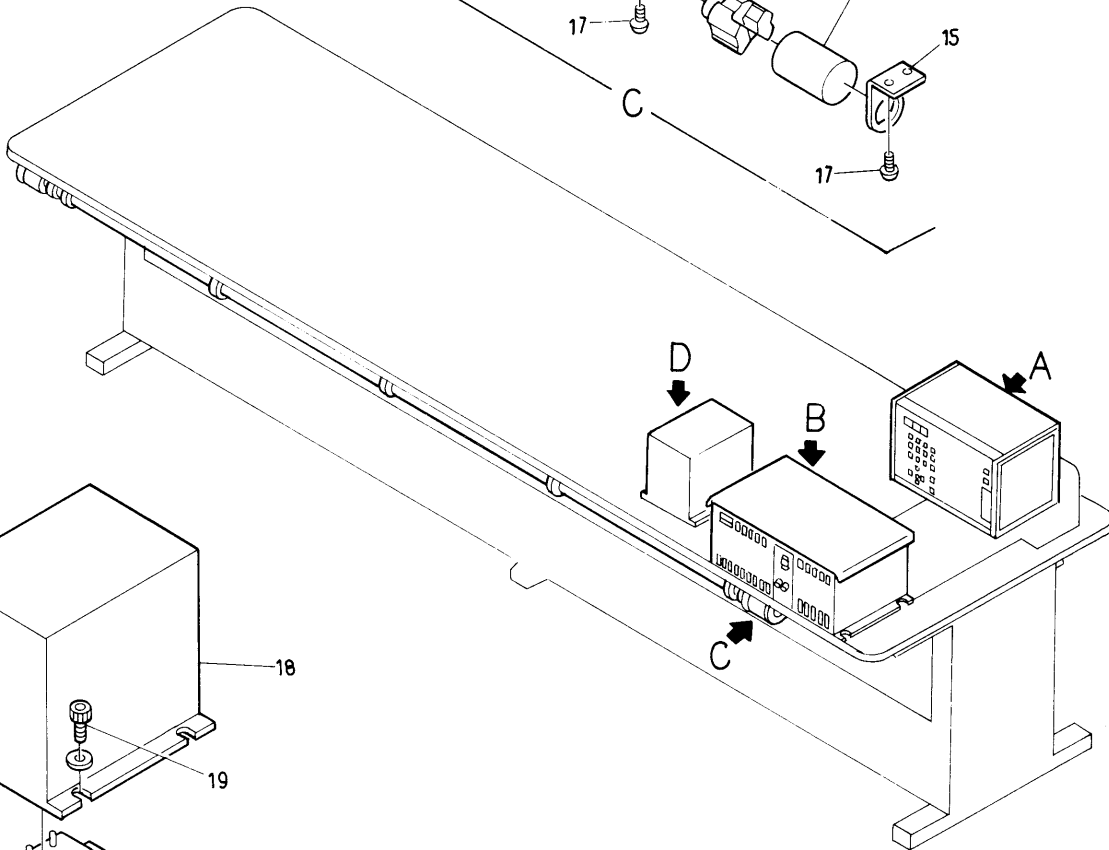
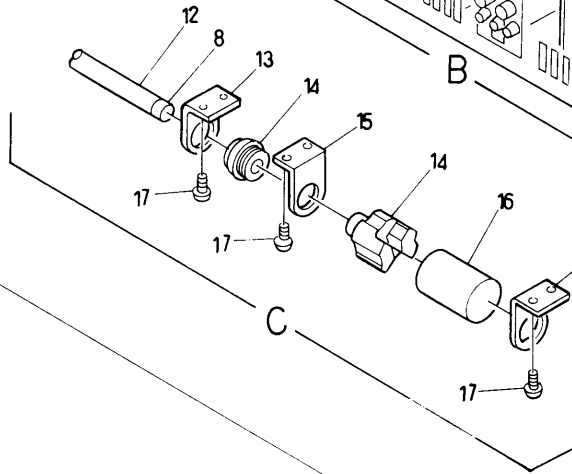
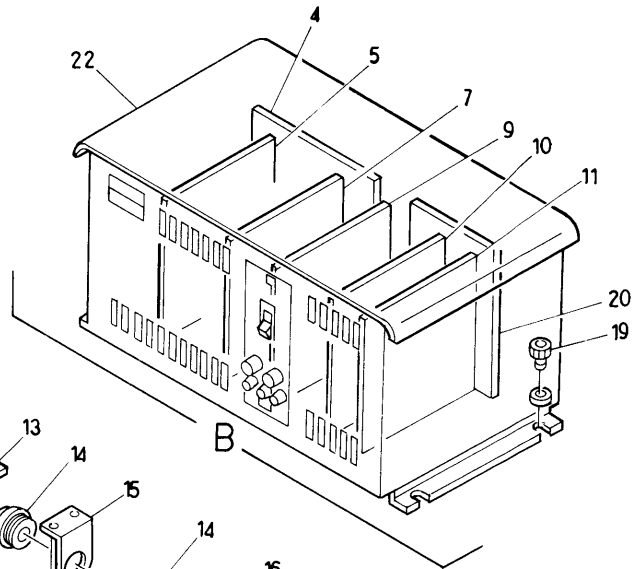
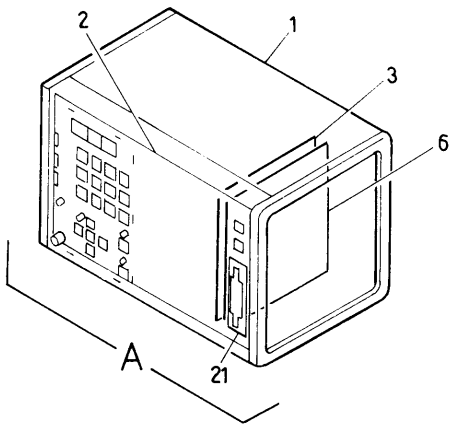


MODEL  
**BEMRME-YS**  
**BEMSME-YS**  
**BEMXME-YS**



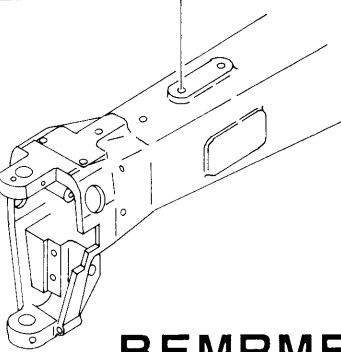
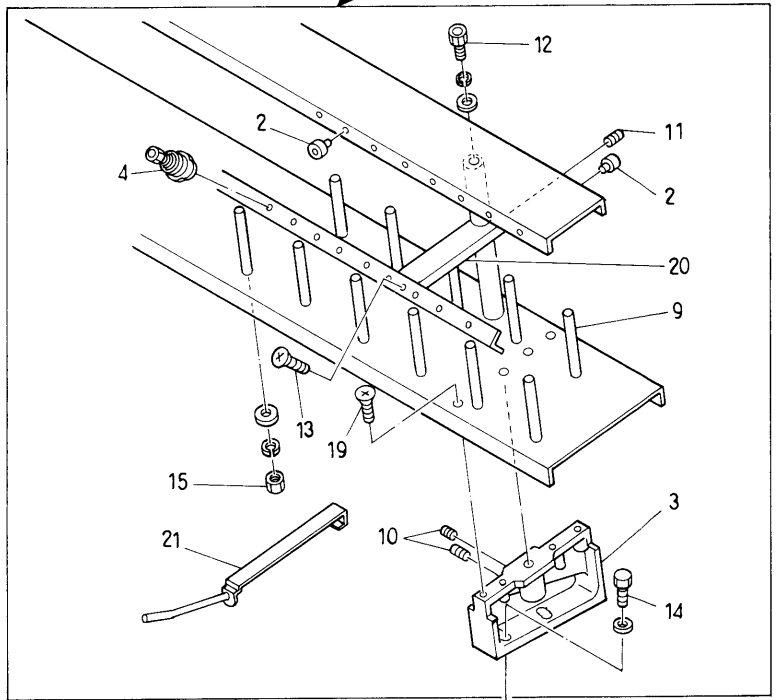
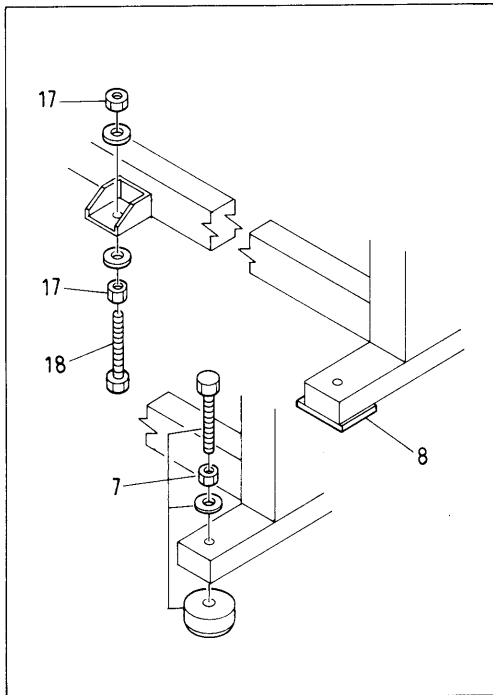
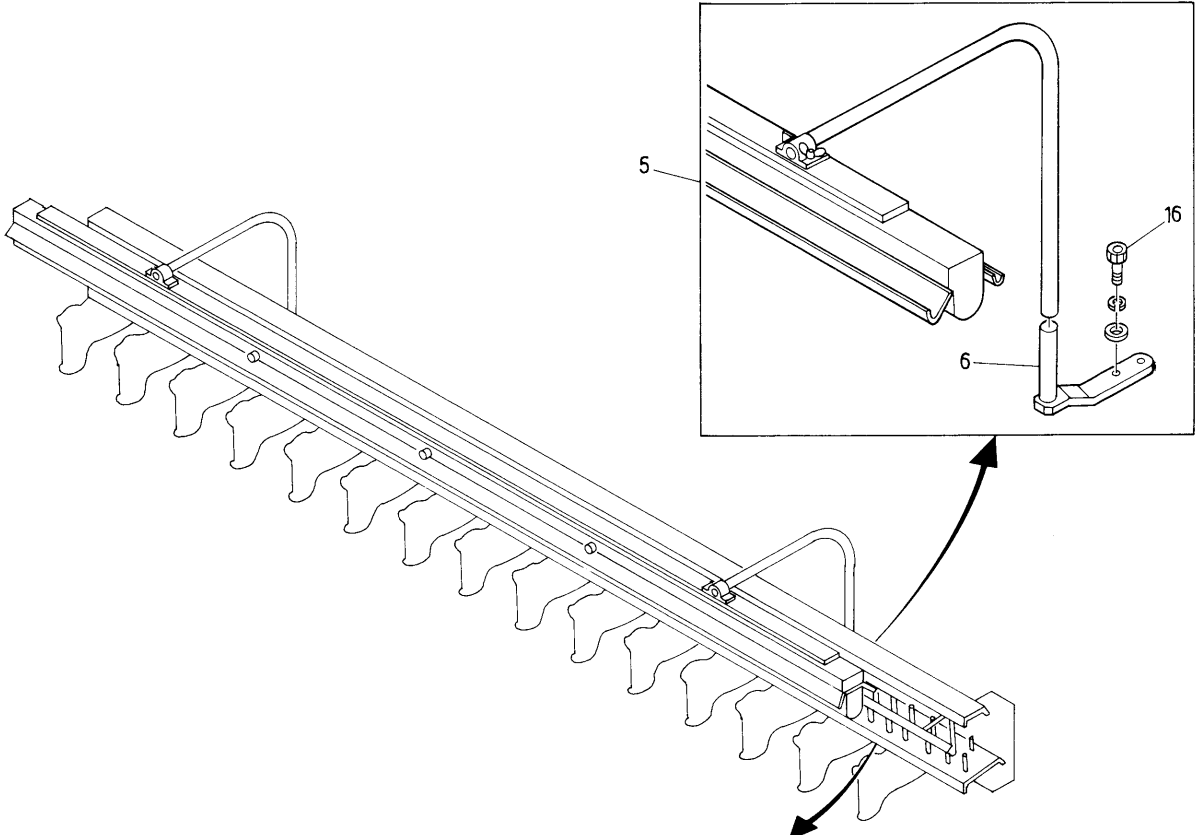






MODEL  
**BEMRME-YS**  
**BEMSME-YS**  
**BEMXME-YS**





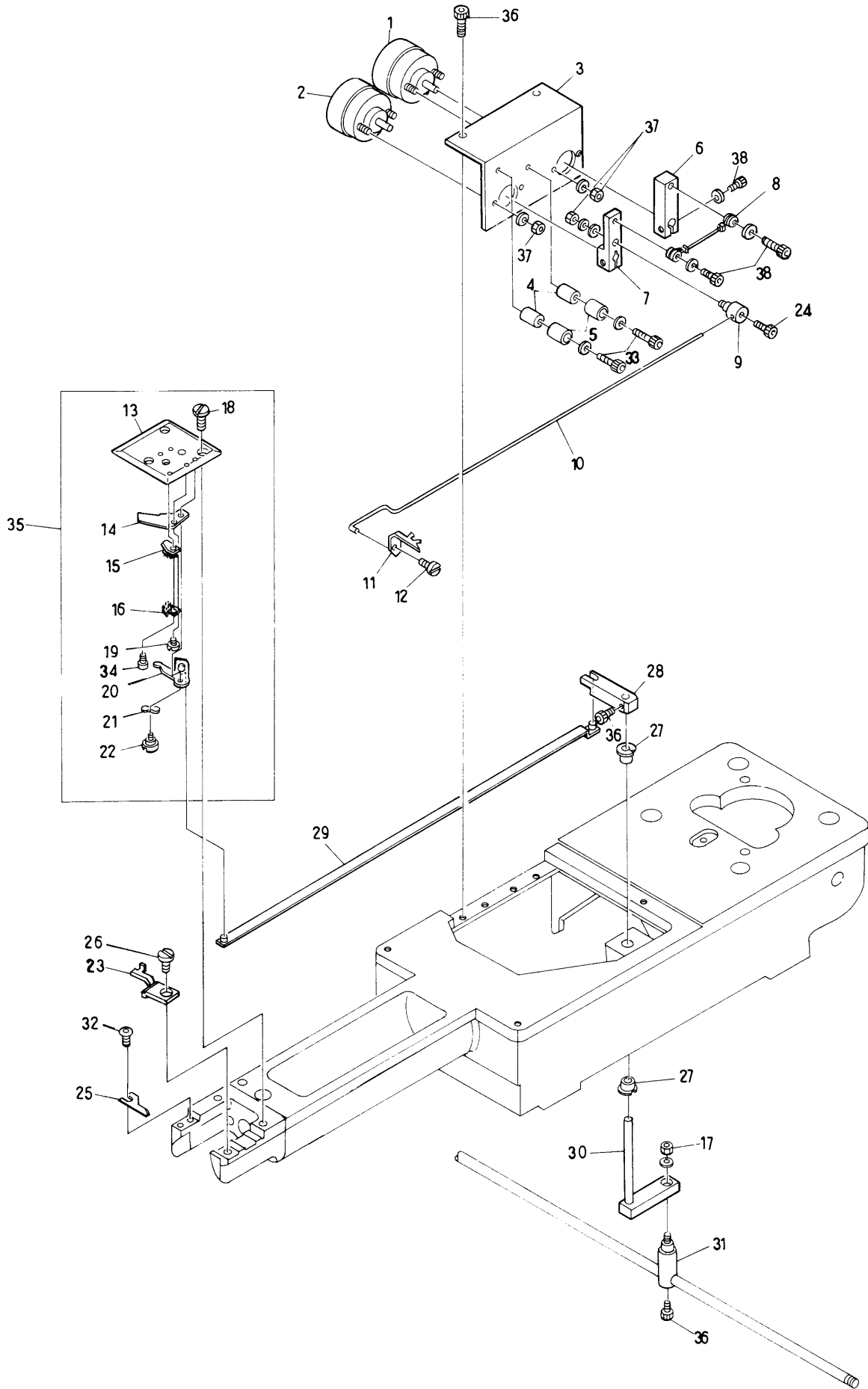
MODEL **BEMRME-YS**  
**BEMSME-YS**  
**BEMXME-YS**





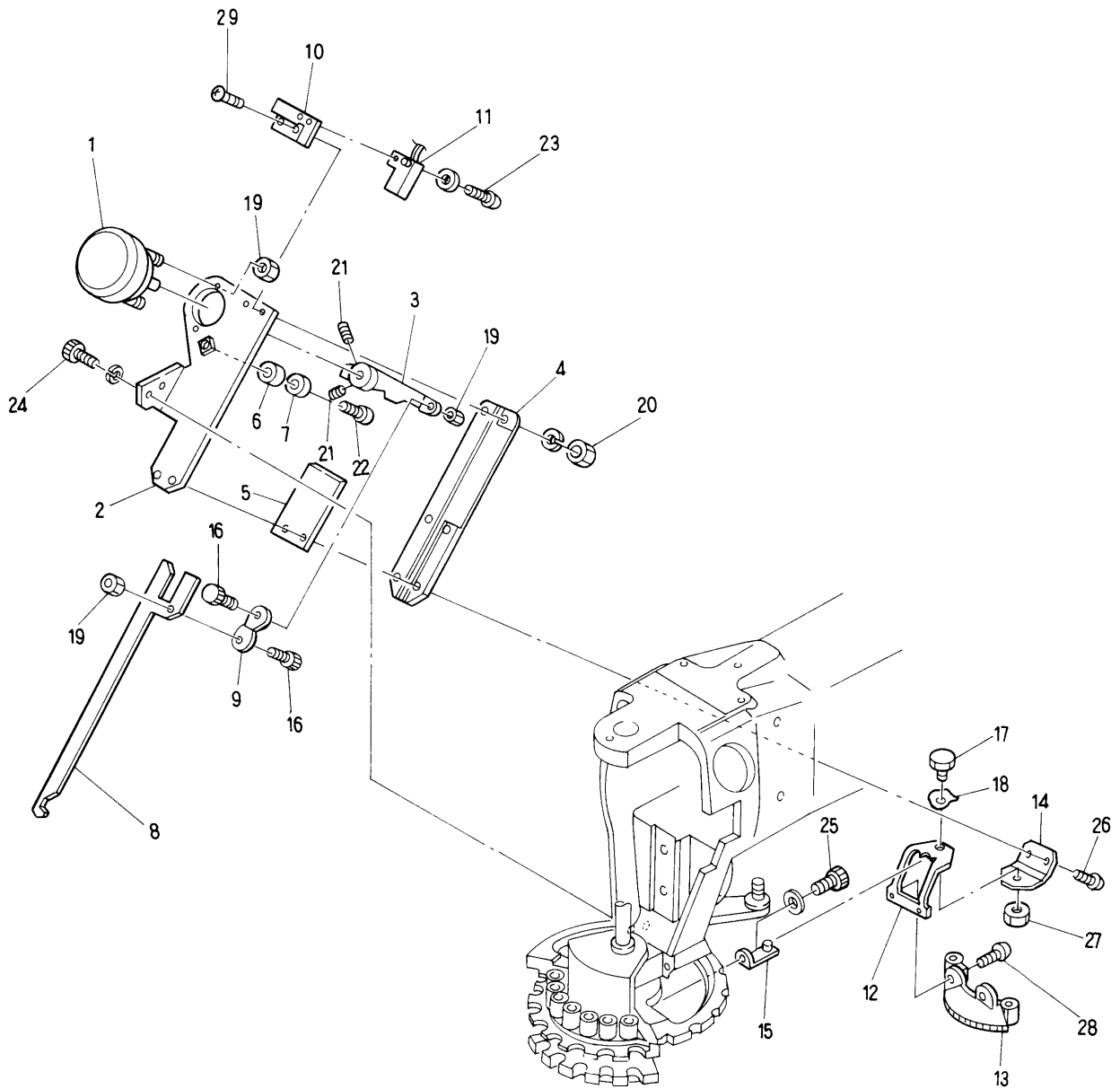
Barudan

23 Automatic thread cutting mechanism I  
(Thread cutting section)



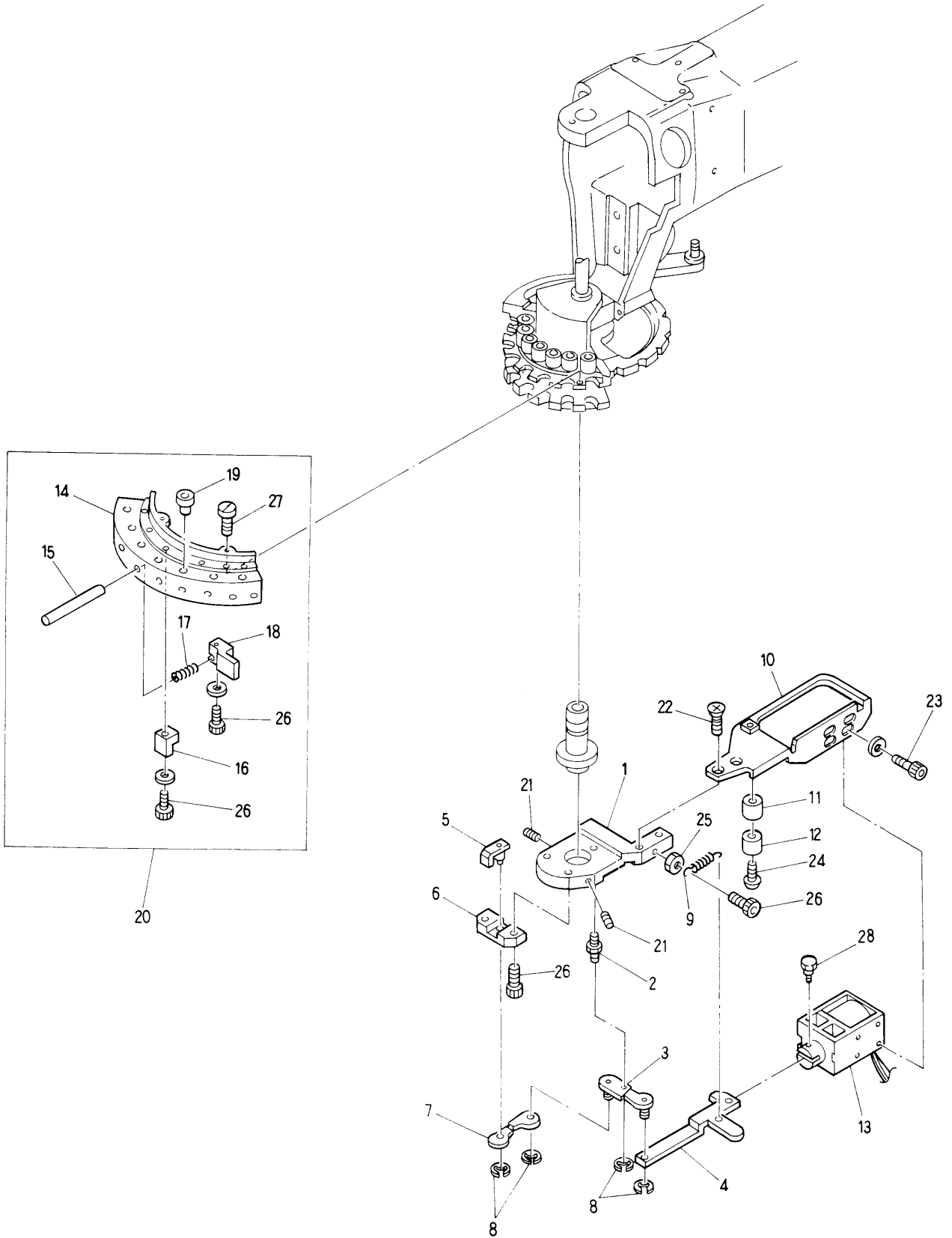
MODEL  
BEMRME-YS  
BEMSME-YS  
BEMXME-YS





MODEL **BEMRME-YS**  
**BEMSME-YS**  
**BEMXME-YS**



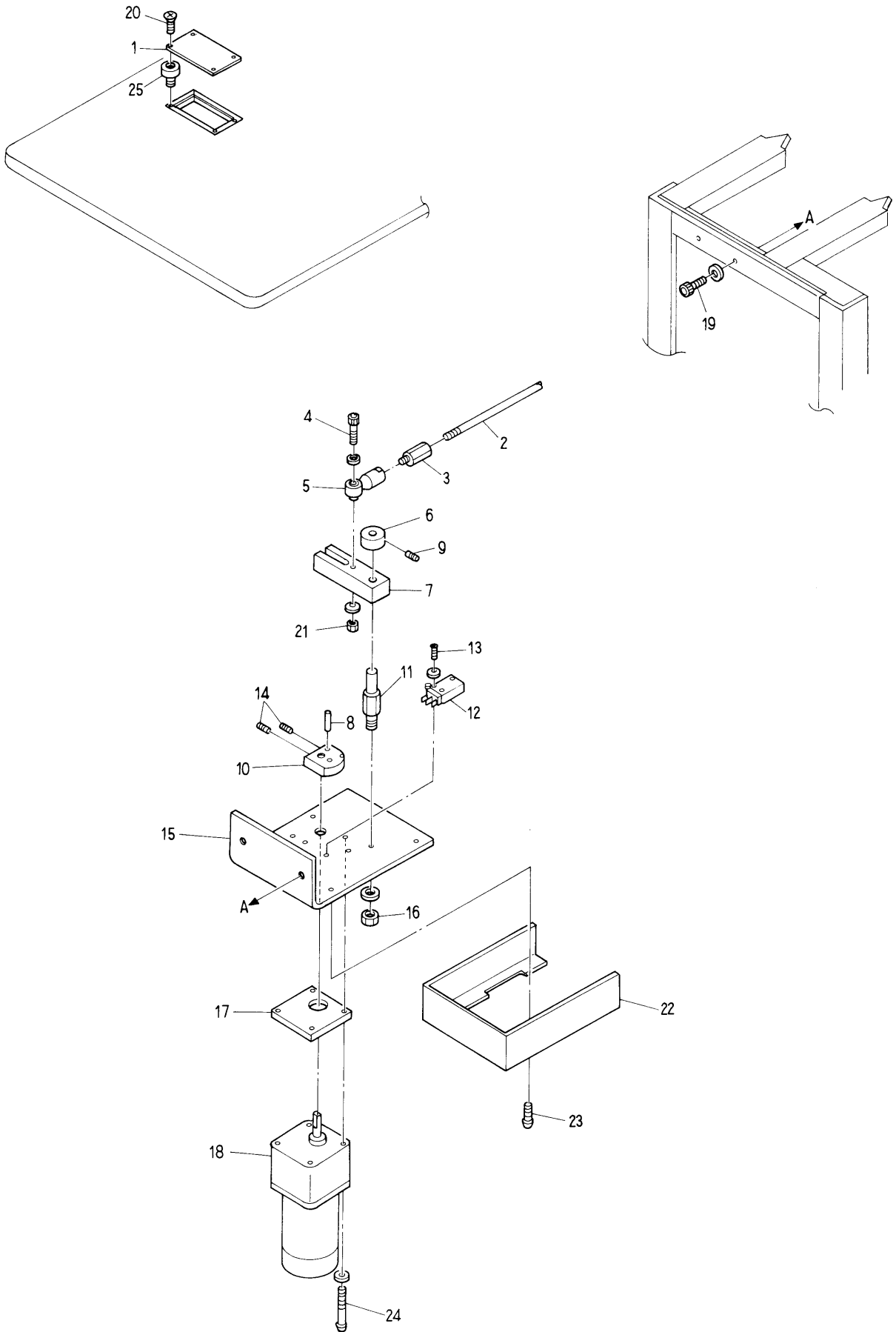


MODEL  
**BEMRME-YS**  
**BEMSME-YS**  
**BEMXME-YS**



Barudan

②⑥ Automatic thread cutting mechanism IV  
(Drive mechanism)



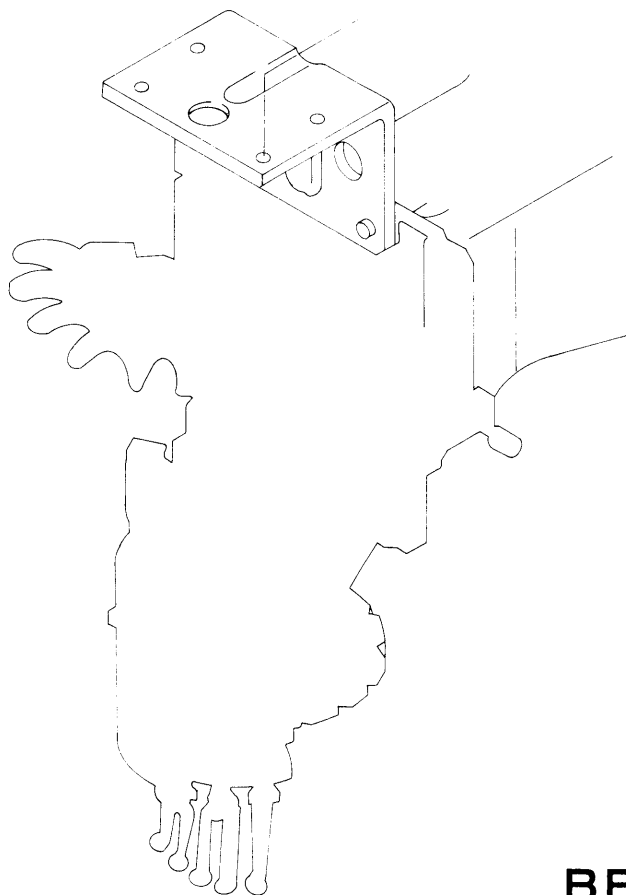
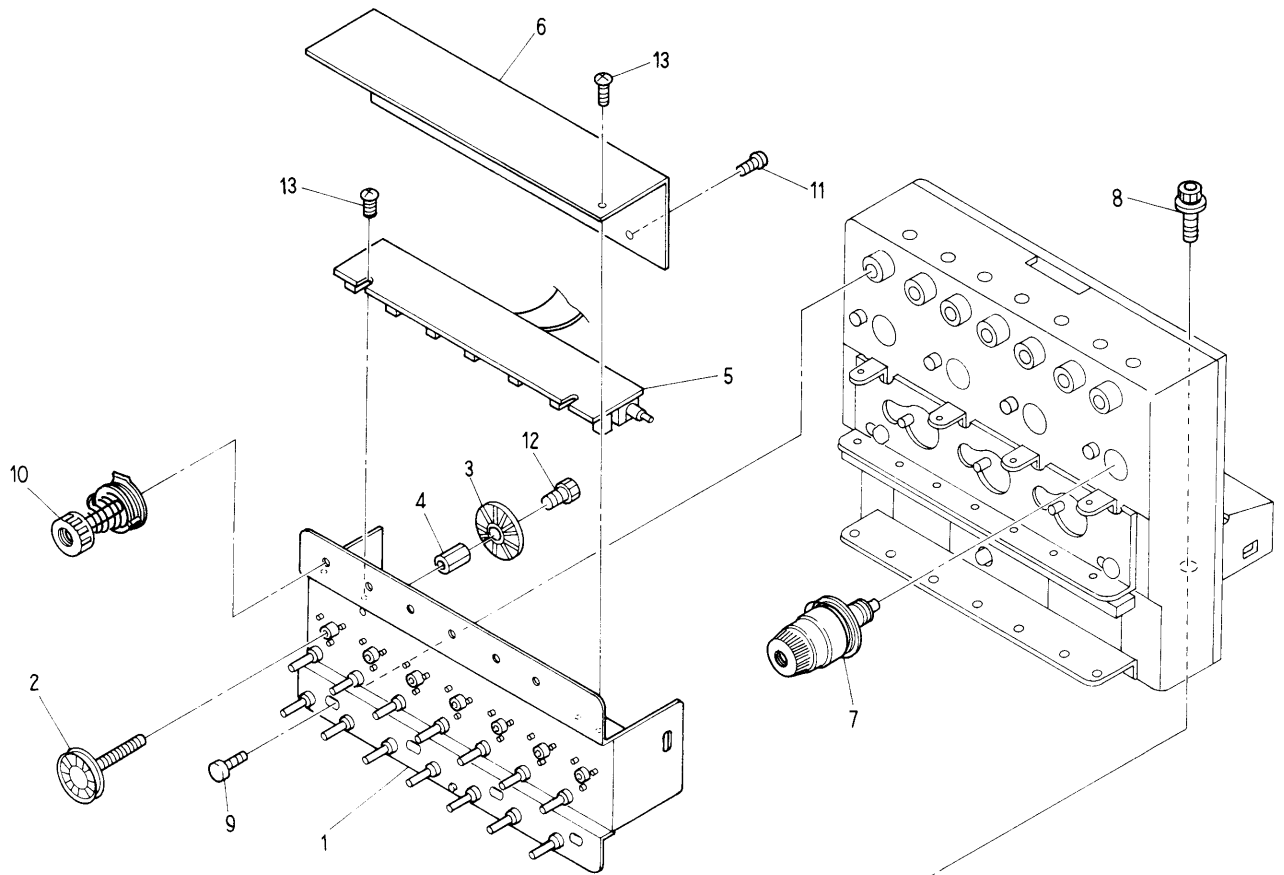
MODEL

BEMRME-YS  
BEMSME-YS  
BEMXME-YS





②⑦ Thread guide mechanism  
(Lower thread sensorium)



MODEL

**BEMRME-YS**  
**BEMSME-YS**  
**BEMXME-YS**





# I N D E X

L I S T	No.	P A G E No.	I T E M	L I S T	No.	P A G E No.	I T E M
1AKK123804801		3	2	A 9 0 1 2 1 9 0		1 7	4
1BKK123804800		3	1	A 9 0 1 2 2 0 8		2 3	2 0
1FKK123804800		2 9	1	A 9 0 1 2 2 3 1		7	8
1HP12300		4 9	1	A 9 0 1 2 2 5 0		7	6
1KKK123804800		3	3	A 9 0 1 2 2 5 5		7	1 1
1PKD12380480		9	2 7	A 9 0 1 2 2 5 9		3	1 4
1WKK123804800		2 9	2	A 9 0 1 2 2 6 3		3 3	8
A 9 0 1 0 0 1 7		9	5	A 9 0 1 2 2 6 4		3 1	2 7
A 9 0 1 0 0 3 6		3 1	1 7	A 9 0 1 2 2 6 6		5	8
A 9 0 1 1 0 1 7		2 7	4	A 9 0 1 2 2 9 1		1 5	1 7
A 9 0 1 1 0 2 1		1 3	7	A 9 0 1 3 0 4 5		5 1	2 1
A 9 0 1 1 0 2 1		1 5	2 1	A 9 0 1 3 0 4 5		5 3	1 8
A 9 0 1 1 0 2 2		1 5	2 3	A 9 0 1 4 0 5 1		1 9	1 9
A 9 0 1 1 0 2 3		1 5	2 0	A 9 0 1 4 0 6 3		9	3 8
A 9 0 1 1 1 0 7		7	7	A 9 0 2 0 0 9 8		3 5	2 0
A 9 0 1 1 1 1 0		3 5	9	A 9 0 2 0 0 9 8		3 7	2 0
A 9 0 1 1 1 1 0		3 7	9	A 9 0 2 0 0 9 8		3 9	1 4
A 9 0 1 1 1 1 0		4 1	1 0	A 9 0 2 0 0 9 8		4 1	1 6
A 9 0 1 1 1 1 5		1 7	9	A 9 0 2 0 2 0 0		2 7	1 6
A 9 0 1 1 1 3 1		3 1	2 3	A 9 0 5 2 0 0 5		5 7	1 2
A 9 0 1 1 1 3 2		3 1	2 5	A 9 0 5 2 0 2 4		3 7	1 5
A 9 0 1 1 1 5 2		1 3	6	A 9 0 5 2 0 2 4		3 9	3 4
A 9 0 1 2 0 0 1		2 3	1 3	A 9 0 5 2 0 2 8		5 3	1 1
A 9 0 1 2 0 0 2		2 5	8	A 9 0 5 2 0 3 0		3 7	2 5
A 9 0 1 2 0 0 2		5 7	5	A 9 0 5 2 0 3 0		3 9	2 0
A 9 0 1 2 0 0 3		1 5	2 6	A 9 0 5 2 0 3 1		3 7	1 6
A 9 0 1 2 0 0 5		1 5	2 6	A 9 0 5 2 0 3 1		3 9	1 2
A 9 0 1 2 0 0 7		9	3 4	A 9 0 5 6 0 0 8		5 1	2
A 9 0 1 2 0 0 7		1 1	2 3	A 9 0 5 6 0 1 2		5 1	1
A 9 0 1 2 0 0 7		5 1	2 6	A 9 0 5 6 0 1 3		5 5	1 3
A 9 0 1 2 0 0 7		5 9	9	A 9 0 5 6 0 1 8		5 3	1
A 9 0 1 2 0 2 7		1 1	1 6	A 9 0 5 6 0 2 0		1 9	6
A 9 0 1 2 0 5 1		1 9	2 0	A 9 0 6 5 0 2 6		5 7	1 8
A 9 0 1 2 0 5 2		3 5	6	A 9 0 6 5 0 3 5		2 3	2 7
A 9 0 1 2 0 5 2		3 7	6	E A Y 0 1 7 A 1		4 3	2 5
A 9 0 1 2 0 5 2		3 9	1 0	E A Y 0 2 1 A 2		4 3	2 6
A 9 0 1 2 0 5 2		4 1	2 5	E A Y 0 2 1 A 2		4 5	2 4
A 9 0 1 2 0 5 3		1 5	3 1	E A Y 0 2 1 A 3		4 3	2 2
A 9 0 1 2 0 5 6		5 5	8	E A Y 0 2 1 A 3		4 5	1
A 9 0 1 2 0 6 4		3 1	2 2	E A Y 0 2 1 A 3		4 5	2 5
A 9 0 1 2 1 1 4		5 1	2 7	E A Y 0 2 1 A 3		4 7	2 3
A 9 0 1 2 1 3 7		2 5	7	E A Y 0 2 2 A 3		4 3	2 2
A 9 0 1 2 1 4 3		2 5	5	E A Y 0 2 2 A 3		4 5	2 5
A 9 0 1 2 1 6 4		1 3	2 9	E A Y 0 2 2 A 3		4 7	2 3
A 9 0 1 2 1 6 4		3 1	2 4	E A Y 0 2 3 A 1		4 7	1

I N D E X

LIST	No.	PAGE	ITEM	LIST	No.	PAGE	ITEM
EBY 0 0 1 8 0	2 3		6	FR 9 2 3 0 0 2 9 0 A	3 1		1
EBY 0 0 4 5 0	4 3		1	HB 2 3 0 1 4 0	1 5		2 2
EBY 0 0 4 6 0	4 3		2	HB 2 3 0 1 6 0	1 3		2 0
EBY 0 0 4 7 0	4 3		3	HB 2 3 0 1 7 0	1 5		2 4
EBY 0 0 4 8 0	4 3		4	HB 2 3 0 2 7 0	1 3		2 1
EBY 0 0 4 9 0	4 3		5	HB 2 3 0 2 9 1	1 3		4
EBY 0 0 5 0 0	4 3		2 4	HB 2 3 0 3 1 0	1 3		1 5
EBY 0 0 5 1 0	4 3		1 1	HB 2 3 0 3 2 0	1 3		1 1
EBY 0 0 5 1 0	4 5		2 1	HB 2 3 0 3 3 1	1 3		1 2
EBY 0 0 5 1 0	4 7		1 1	HB 2 3 0 3 7 2	1 7		1 0
EBY 0 0 5 2 0	4 3		1 0	HB 2 3 0 3 8 2	1 7		5
EBY 0 0 5 2 0	4 5		2 0	HB 2 3 0 3 9 0	1 7		3
EBY 0 0 5 2 0	4 7		1 0	HB 2 3 0 4 0 1	1 7		1
EBY 0 0 5 3 0	4 3		8	HB 2 3 0 4 1 4	1 7		1 2
EBY 0 0 5 3 0	4 5		9	HB 2 3 0 4 2 0	1 7		1 1
EBY 0 0 5 3 0	4 7		7	HB 2 3 0 4 3 1	1 5		1 8
EBY 0 0 5 4 0	4 3		7	HB 2 3 0 4 4 1	1 5		1 8
EBY 0 0 5 4 0	4 5		8	HB 2 3 0 4 6 0	1 9		5
EBY 0 0 5 4 0	4 7		5	HB 2 3 0 4 7 0	1 9		4
EBY 0 0 5 5 0	4 3		9	HB 2 3 0 5 0 2	1 5		2
EBY 0 0 5 5 0	4 5		1 0	HB 2 3 0 5 1 2	1 5		7
EBY 0 0 5 5 0	4 7		9	HB 2 3 0 5 3 1	1 5		4
EBY 0 0 5 6 0	4 3		1 2	HB 2 3 0 5 5 0	1 5		2 8
EBY 0 0 5 6 0	4 5		2 2	HB 2 3 0 5 6 0	1 9		7
EBY 0 0 5 6 0	4 7		2 0	HB 2 3 0 5 7 1	1 7		2 1
EBY 0 0 5 7 0	4 3		6	HB 2 3 0 5 8 0	1 9		1 3
EBY 0 0 5 7 0	4 5		7	HB 2 3 0 5 9 0	1 7		2
EBY 0 0 5 7 0	4 7		4	HB 2 3 0 6 0 1	1 5		1
EBY 0 0 6 3 0	4 3		2 1	HB 2 3 0 6 1 1	1 5		1
EBY 0 0 6 3 0	4 5		2 3	HB 2 3 0 6 5 0	1 3		3 5
EBY 0 0 6 3 0	4 7		2 1	HB 2 3 0 7 2 0	1 5		1 6
EBY 0 0 9 1 0	5 9		5	HB 2 3 0 7 5 0	1 3		2 2
EBY 0 0 9 2 0	5 9		5	HB 2 3 0 7 7 0	1 5		5
EBY 0 0 9 3 0	4 7		2	HB 2 3 0 7 8 0	1 5		6
EBY 0 0 9 4 0	4 5		4	HB 2 3 0 8 2 0	1 5		8
EBY 0 0 9 4 0	4 7		3	HB 2 4 0 0 2 0	1 9		1 4
EBY 0 0 9 5 0	4 5		5	HB 2 4 0 0 3 0	1 9		1 5
EBY 0 0 9 5 0	4 7		6	HB 2 4 0 0 4 0	1 9		9
EBY 0 0 9 7 0	4 5		3	HB 2 4 0 0 5 0	1 9		1 0
EBY 0 0 9 8 0	4 5		6	HB 2 4 0 0 7 0	1 9		1 8
EBY 0 0 9 9 0	4 5		2	HB 2 4 0 0 8 0	1 9		2 2
EBY 0 1 0 7 0	2 1		1 2	HB 2 4 0 0 9 0	1 9		2 1
EBY 0 2 1 A 2	4 7		2 2	HB 2 4 0 1 1 0	1 9		1 7
FR 6 0 0 5 2 8	3 1		2	HB 2 4 0 1 7 1	1 3		1 8
FR 6 0 0 5 2 9	3 1		3	HB 2 4 0 1 8 0	1 3		2

# I N D E X

LIST	No.	PAGE No.	ITEM	LIST	No.	PAGE No.	ITEM
HB 2 4 0 2 6 0		2 1	1 1	HP 2 4 1 4 7 0		2 1	1 0
HB 2 4 0 2 7 0		2 1	1 1	HP 2 4 1 4 8 0		2 1	1 0
HB 2 4 0 2 8 0		1 3	1 8	HP 2 5 0 0 5 0		2 1	2 0
HB 2 4 0 2 9 0		1 3	2	HP 4 8 2 9 4 0		3 5	2 1
HB 2 4 0 3 1 0		1 9	8	HP 4 8 2 9 4 0		3 7	2 1
HB 2 4 0 3 3 0		1 9	1 2	HP 4 8 2 9 4 0		3 9	5
HB 2 4 0 3 4 0		1 9	1 1	HP 4 8 2 9 4 0		4 1	1 7
HB 5 4 0 0 4 0		5 9	1	HP 4 8 2 9 5 0		3 3	9
HB 5 4 0 0 5 0		5 9	1	HP 4 8 2 9 5 0		3 5	2 3
HB 5 4 0 0 6 0		5 9	6	HP 4 8 2 9 5 0		3 7	2 3
HB 5 4 0 0 7 0		5 9	6	HP 4 8 2 9 5 0		3 9	1 6
HH 1 2 0 9 0 0		4 9	7	HP 4 8 2 9 5 0		4 1	2 6
HH 3 2 0 5 5 0		2 7	2 7	HP 4 8 2 9 8 0		3 5	5
HH 4 8 1 9 0 0		3 5	1 5	HP 4 8 2 9 8 0		3 7	5
HH 4 8 1 9 0 0		4 1	1 2	HP 4 8 2 9 8 0		3 9	9
HH 4 8 1 9 3 1		3 5	1 6	HP 4 8 2 9 8 0		4 1	2 4
HH 4 8 1 9 3 1		4 1	1 5	HP 4 8 2 9 9 0		3 5	1 0
HH 4 8 1 9 7 0		3 5	1 2	HP 4 8 2 9 9 0		3 7	1 0
HH 4 8 1 9 7 0		3 7	1 2	HP 4 8 2 9 9 0		4 1	8
HH 4 8 1 9 7 0		4 1	1 1	HP 4 8 3 1 1 1		3 9	1 7
HH 4 8 1 9 8 0		3 5	1 1	HP 4 8 3 3 7 0		3 9	1 8
HH 4 8 1 9 8 0		3 7	1 1	HP 7 1 0 7 9 0		4 9	3
HH 4 8 1 9 9 1		3 5	3	HS 4 6 0 0 3 0		3 1	5
HH 4 8 1 9 9 1		3 7	3	HS 4 6 0 0 5 0		3 1	6
HH 4 8 1 9 9 1		3 9	7	HS 4 6 0 2 0 0		3 1	4
HH 4 8 1 9 9 1		4 1	2 2	HS 4 6 0 2 1 0		3 1	7
HH 4 8 2 1 1 0		3 5	4	HS 7 3 0 0 0 0		3 1	1 0
HH 4 8 2 1 1 0		3 7	4	KB 2 1 0 1 6 0		9	2 5
HH 4 8 2 1 1 0		3 9	8	KB 2 1 0 1 7 0		1 9	1
HH 4 8 2 1 1 0		4 1	2 3	KB 2 3 0 0 1 0		9	2 8
HP 2 3 1 3 9 0		9	1 3	KB 2 3 0 0 3 0		9	3 1
HP 2 4 1 1 1 2		2 1	6	KB 2 3 0 0 5 0		9	3 3
HP 2 4 1 1 2 2		2 1	6	KB 2 3 0 0 6 0		1 7	8
HP 2 4 1 1 5 0		2 1	2	KB 2 3 0 0 7 0		1 7	7
HP 2 4 1 1 6 0		2 1	7	KB 2 3 0 0 8 0		1 7	6
HP 2 4 1 1 7 0		2 1	3	KB 2 3 0 0 9 0		1 3	5
HP 2 4 1 1 8 0		2 1	3	KB 2 3 0 1 0 0		1 3	8
HP 2 4 1 3 7 1		2 1	8	KB 2 3 0 1 1 0		1 3	9
HP 2 4 1 3 8 1		2 1	8	KB 2 3 0 1 2 0		1 3	1 0
HP 2 4 1 4 1 0		2 1	1	KB 2 3 0 1 3 0		1 3	1 9
HP 2 4 1 4 3 0		4 9	4	KB 2 3 0 1 4 1		1 3	1 7
HP 2 4 1 4 3 0		5 9	1 0	KB 2 3 0 1 6 1		1 3	1
HP 2 4 1 4 4 0		2 1	5	KB 2 3 0 1 7 0		1 9	3
HP 2 4 1 4 5 0		2 1	4	KB 2 3 0 3 1 0		1 3	3 6
HP 2 4 1 4 6 0		2 1	4	KB 2 3 0 3 2 0		1 3	1 6

I N D E X

LIST No.	PAGE No.	ITEM	LIST No.	PAGE No.	ITEM
KB 2 4 0 0 1 0	1 3	1 4	K C 2 7 1 4 4 0	5 7	1
KB 2 4 0 0 2 1	1 3	3	K C 2 7 1 9 4 0	5 1	7
KB 2 4 0 0 3 0	1 9	2	K C 2 7 1 9 5 0	5 1	6
KB 2 4 0 0 4 0	1 9	1 6	K C 2 7 1 9 6 0	5 1	3
KB 2 4 0 0 5 1	2 1	1 3	K C 3 1 2 8 9 0	2 7	2 9
KB 2 4 0 0 6 0	2 1	1 6	K C 3 1 2 9 1 1	2 7	2 1
KB 2 4 0 0 7 0	2 1	1 6	K C 3 1 2 9 2 1	2 7	3 1
KB 2 4 0 1 0 0	2 1	1 5	K C 3 2 0 5 9 0	2 7	2 6
KB 2 5 0 0 2 0	2 1	1 7	K C 3 3 0 1 3 0	2 3	7
KB 2 5 0 0 3 0	2 1	1 8	K C 3 3 0 1 6 1	2 3	9
KB 2 5 0 0 4 0	2 1	1 9	K C 3 3 0 1 7 0	2 3	3
KB 2 5 0 0 5 0	2 1	2 1	K C 3 3 0 1 8 0	2 3	1 0
KB 2 5 0 0 6 0	2 1	2 2	K C 3 3 0 1 8 0	5 7	6
KB 2 7 0 0 2 0	5 1	2 5	K C 3 3 0 1 9 0	2 3	8
K C 1 1 0 9 1 0	3	9	K C 3 3 0 2 1 0	2 3	2 5
K C 1 1 0 9 7 0	4 9	8	K C 3 3 0 2 3 0	2 5	6
K C 2 2 0 2 1 0	1 1	1 9	K C 3 3 0 2 6 0	2 5	1 2
K C 2 2 0 6 4 2	5 1	2 3	K C 3 3 0 2 8 0	2 3	2
K C 2 2 0 6 5 0	1 1	1 5	K C 3 3 0 2 9 0	2 5	3
K C 2 5 0 4 7 1	1 1	1 7	K C 3 3 0 3 1 0 3 8 0	1 5	2 5
K C 2 5 0 4 8 2	1 1	1 8	K C 3 3 0 4 1 0	1 7	1 8
K C 2 5 1 3 3 0	9	4 2	K C 3 3 0 4 1 0	5 7	2
K C 2 7 0 1 0 1	5 5	2 8	K C 3 3 0 5 1 0	2 5	9
K C 2 7 0 2 7 1	5 5	1 7	K C 3 3 0 5 1 0	5 7	3
K C 2 7 0 2 8 3	5 5	1 4	K C 3 3 0 6 1 0	2 3	2 1
K C 2 7 0 2 9 2	5 5	1 6	K C 3 3 0 8 5 0	2 5	1 1
K C 2 7 0 3 0 1	5 5	1 8	K C 3 3 0 9 1 0	2 5	1 6
K C 2 7 0 3 6 0	5 1	8	K C 5 2 0 0 2 0	4 3	1 9
K C 2 7 0 7 6 1	5 5	2 0	K C 5 2 0 0 2 0	4 5	1 7
K C 2 7 0 9 5 0	5 1	2 0	K C 5 2 0 0 2 0	4 7	1 8
K C 2 7 0 9 6 0	5 1	1 4	K C 5 3 0 2 3 0	4 3	1 6
K C 2 7 0 9 7 0	5 1	2 2	K C 5 3 0 2 3 0	4 5	1 4
K C 2 7 0 9 8 0	5 1	1 9	K C 5 3 0 2 3 0	4 7	1 5
K C 2 7 1 0 0 1	5 1	1 2	K C 5 3 0 2 4 0	4 3	1 4
K C 2 7 1 0 2 1	5 1	1 1	K C 5 3 0 2 4 0	4 5	1 2
K C 2 7 1 0 3 1	5 1	1 0	K C 5 3 0 2 4 0	4 7	1 3
K C 2 7 1 0 4 1	5 1	9	K C 7 1 0 2 7 0	4 9	2 0
K C 2 7 1 0 7 0	5 1	2 9	K C 7 1 0 4 1 0	4 9	2 1
K C 2 7 1 1 2 0	5 1	2 8	K F 2 2 0 1 3 0	9	1 1
K C 2 7 1 1 3 0	5 1	3 0	K F 2 2 0 2 3 0	1 1	1 0
K C 2 7 1 1 4 0	5 7	7	K F 2 2 0 2 7 1	1 1	4
K C 2 7 1 1 5 1	5 7	1 1	K F 2 2 0 2 9 0	1 1	1 1
K C 2 7 1 1 6 2	5 7	1 5	K F 2 2 0 4 1 0	1 1	8
K C 2 7 1 1 7 2	5 7	1 0	K F 2 2 0 4 4 0	1 1	7
K C 2 7 1 4 3 0	5 7	1 7	K F 2 2 0 4 6 0	9	1 9



# I N D E X

L I S T	No.	P A G E No.	I T E M	L I S T	No.	P A G E No.	I T E M
K F 2 2 0 4 7 0		1 1	1	K G 2 7 0 2 8 2		5 5	1 4
K F 2 2 0 4 8 0		1 1	1 3	K G 2 7 0 3 1 0		5 5	1 5
K F 2 2 0 7 5 0		1 1	9	K G 2 7 0 7 6 0		5 5	2 0
K F 2 3 0 2 3 0		1 5	1 2	K G 3 3 0 1 5 0		2 3	1 2
K F 2 3 0 2 4 0		1 5	1 3	K G 3 3 0 2 2 0		2 3	1 4
K F 2 3 0 2 5 0		1 5	1 4	K G 7 1 0 1 6 1		4 9	6
K F 2 3 0 3 6 0		2 3	1 7	K K 1 4 0 0 0 0		3	8
K F 2 3 0 4 2 0		9	3 0	K K 1 4 0 0 1 0		7	2
K F 2 3 0 5 0 0		1 3	1 3	K K 1 4 0 0 2 0		3	1 1
K F 2 3 0 5 8 0		5 5	1 9	K K 1 4 0 0 3 0		7	4
K F 2 3 0 6 3 0		1 7	1 4	K K 1 4 0 0 5 0		5	2
K F 2 3 0 6 3 0		2 5	2	K K 1 4 0 0 6 1		3	1 2
K F 2 3 0 6 4 0		1 7	1 6	K K 1 4 0 0 7 0		7	1
K F 2 3 0 6 4 0		5 1	3 1	K K 1 4 0 0 8 0		7	1 4
K F 2 3 0 6 5 0		1 7	1 5	K K 1 4 0 1 0 1		3	1 0
K F 2 3 0 6 6 1		1 7	1 9	K K 1 4 0 1 1 1		5	3
K F 2 3 0 6 7 0		1 7	2 0	K K 1 4 0 1 2 0		5	1
K F 2 3 0 9 1 0		1 5	1 9	K K 1 4 0 1 3 0		3 5	2 2
K F 2 3 0 9 2 0		1 5	1 0	K K 1 4 0 1 3 0		3 7	2 2
K F 2 3 0 9 3 0		1 5	1 1	K K 1 4 0 1 4 1		7	3
K F 2 4 0 9 0 0		4 9	2	K K 1 4 0 1 5 1		7	5
K F 2 5 0 9 0 0		1 1	2 1	K K 1 4 0 1 6 0		3	1 3
K F 3 3 0 3 8 1		1 5	2 7	K K 1 4 0 1 7 0		3	7
K F 3 3 0 3 8 1		1 7	1 7	K K 1 4 0 2 0 1		5	7
K F 5 3 0 1 1 1		4 3	1 5	K K 1 4 0 2 1 0		5	5
K F 5 3 0 1 1 1		4 5	1 3	K K 1 4 0 2 2 0		5	4
K F 5 3 0 1 1 1		4 7	1 4	K K 1 4 0 2 7 0		3	5
K F 5 3 0 1 2 0		4 3	1 5	K K 1 4 0 2 8 1		5	6
K F 5 3 0 1 2 0		4 5	1 3	K K 1 4 0 2 9 1		5	9
K F 5 3 0 1 2 0		4 7	1 4	K K 1 4 0 3 2 0		7	9
K F 5 3 0 1 5 0		4 3	1 7	K K 1 4 0 3 3 0		7	1 0
K F 5 3 0 1 5 0		4 5	1 5	K K 1 4 0 3 4 0		7	1 2
K F 5 3 0 1 5 0		4 7	1 6	K K 1 4 0 3 5 0		5	1 0
K F 5 3 0 1 6 0		4 3	1 3	K K 1 4 0 3 6 0		7	1 3
K F 5 3 0 1 6 0		4 5	1 1	K K 1 4 0 3 7 0		5	2 1
K F 5 3 0 1 6 0		4 7	1 2	K K 3 1 0 0 0 0		4 1	3
K F 5 3 0 1 7 0		4 3	2 3	K K 3 1 0 0 1 0		4 1	4
K F 5 3 0 1 7 0		4 5	1 9	K K 3 1 0 0 2 0		2 7	4 0
K F 5 3 0 1 7 0		4 7	8	K K 3 1 0 0 3 0		2 7	2
K F 7 1 0 2 8 0		4 9	9	K K 3 1 0 0 4 0		2 7	1 9
K F 7 1 0 3 0 0		4 9	5	K K 3 1 0 0 5 0		4 1	6
K F 7 1 0 4 1 0		4 9	2 1	K K 3 1 0 0 6 0		4 1	2
K G 2 3 0 0 2 0		1 5	9	K K 4 6 0 0 0 0		3 1	1 9
K G 2 3 0 6 1 0		2 5	1	K K 4 6 0 0 1 0		3 1	1 6
K G 2 5 0 0 1 0		2 1	2 0	K K 4 6 0 0 2 0		3 1	2 0

I N D E X

L I S T	No.	P A G E No.	ITEM	L I S T	No.	P A G E No.	ITEM
KK 4 6 0 0 3 1		3 1	1 8	KL 2 2 0 1 5 0		9	8
KK 4 6 0 0 4 0		3 1	1 4	KL 2 3 0 1 1 1		1 5	1 5
KK 4 6 0 0 5 0		3 1	9	KL 2 3 0 2 8 0		1 7	1 3
KK 4 6 0 0 6 1		3 1	1 1	KL 2 5 0 0 4 0		9	7
KK 4 6 0 0 7 0		3 1	1 2	KL 2 5 0 0 5 1		9	2 6
KK 4 6 0 0 8 0		3 1	1 5	KL 2 5 0 0 7 1		1 1	5
KK 4 6 0 0 9 0		3 1	1 3	KL 2 7 0 0 0 0		5 5	1
KK 4 6 0 1 2 0		3 1	2 1	KL 2 7 0 0 1 0		5 5	6
KK 4 6 0 1 3 0		3 1	8	KL 2 7 0 0 2 0		5 5	5
KK 4 6 0 1 4 0		3 1	2 6	KL 2 7 0 0 3 0		5 5	7
KK 4 7 0 0 0 0		3 5	1 9	KL 2 7 0 0 4 0		5 5	2
KK 4 8 0 0 0 0		2 9	3	KL 2 7 0 0 5 0		5 5	3
KK 4 8 0 0 1 0		3 5	1	KL 2 7 0 0 6 0		5 5	4
KK 4 8 0 0 1 0		3 7	1	KL 2 7 0 0 7 0		5 5	1 0
KK 4 8 0 0 2 0		4 1	1	KL 2 7 0 0 8 1		5 3	2
KK 4 8 0 0 3 0		3 9	1	KL 2 7 0 0 9 1		5 3	4
KK 4 8 0 0 4 0		3 3	3	KL 2 7 0 1 0 1		5 3	8
KK 4 8 0 0 5 0		3 3	5	KL 2 7 0 1 1 0		5 3	3
KK 4 8 0 0 7 0		3 3	1	KL 2 7 0 1 2 0		5 3	9
KK 4 8 0 1 0 0		2 9	4	KL 2 7 0 1 3 0		5 3	1 6
KK 4 8 0 1 1 0		3 9	1 5	KL 2 7 0 1 4 0		5 3	7
KK 4 8 0 1 2 0		3 3	7	KL 2 7 0 1 4 0		5 5	1 2
KK 4 8 0 1 3 0		3 3	4	KL 2 7 0 1 5 0		5 3	6
KK 4 8 0 1 4 0		3 3	2	KL 2 7 0 1 5 0		5 5	1 1
KK 4 8 0 1 4 0		3 5	1 3	KL 2 7 0 2 6 0		5 3	1 0
KK 4 8 0 1 4 0		3 7	1 3	KL 2 7 0 3 8 0		5 1	1 3
KK 4 8 0 1 6 1		3 3	6	KL 2 7 0 3 9 0		5 1	3 5
KK 4 8 0 9 0 0		2 9	5	KL 2 7 0 4 0 0		5 3	1 3
KL 2 1 0 1 1 3		1 1	6	KL 2 7 0 4 1 0		5 3	1 7
KL 2 1 0 1 4 0		9	1 7	KL 2 7 0 4 2 0		5 3	1 5
KL 2 2 0 0 0 0		9	1 6	KL 2 7 0 4 3 0		5 3	1 2
KL 2 2 0 0 1 0		9	2 4	KL 2 7 0 4 4 0		5 3	1 4
KL 2 2 0 0 2 0		9	2 9	KL 2 7 0 4 5 0		5 3	5
KL 2 2 0 0 3 0		9	1 5	KL 2 7 0 5 2 0		5 5	9
KL 2 2 0 0 4 0		9	6	KL 3 1 0 0 7 1		2 7	3 4
KL 2 2 0 0 5 0		9	2 1	KL 3 1 0 0 8 1		2 7	3 8
KL 2 2 0 0 6 0		1 1	2	KL 3 1 0 1 0 0		2 7	3 3
KL 2 2 0 0 7 0		1 1	1 2	KL 3 2 0 0 0 0		9	3 5
KL 2 2 0 0 8 0		9	1 2	KL 3 2 0 0 2 0		9	3 7
KL 2 2 0 0 9 0		9	4	KL 3 3 0 0 1 0		2 5	1 8
KL 2 2 0 1 0 0		9	1	KL 3 3 0 0 2 0		2 5	1 7
KL 2 2 0 1 2 0		1 1	2 0	KL 3 3 0 0 4 0		2 3	1 8
KL 2 2 0 1 3 0		9	1 4	KL 3 3 0 0 5 0		2 3	1 6
KL 2 2 0 1 4 0		9	2 0	KN 2 3 1 3 5 0		1 5	3
KL 2 2 0 1 4 0		1 1	3	KN 2 3 1 3 5 0		2 5	1 4

I N D E X

LIST	No.	PAGE	ITEM	LIST	No.	PAGE	ITEM
KN 2 7 1 1 9 0	5 1	1 6		KN 5 4 0 5 2 0	5 9	3	
KN 2 7 1 2 2 0	5 1	1 5		KN 5 4 0 7 6 0	5 9	7	
KN 2 7 1 6 5 1	5 1	4		KR 1 4 0 0 1 0	3	4	
KN 2 7 1 6 6 1	5 1	5		KR 1 4 0 0 4 0	3	6	
KN 2 7 1 7 1 2	5 7	2 2		KU 2 4 1 4 0 0	2 1	1 4	
KN 2 7 2 3 5 0	5 7	8		KU 4 6 0 2 7 0	3 7	1 8	
KN 3 1 0 0 0 0	2 7	1 1		KU 4 6 0 2 7 0	3 9	1 3	
KN 3 1 0 0 1 0	2 7	1 5		KU 4 6 0 3 4 2	3 7	2 4	
KN 3 1 0 0 5 0	2 7	8		MA 2 5 0 1 3 1	1 1	1 4	
KN 3 1 2 8 1 0	2 7	1 7		MT 4 6 0 2 4 0	3 7	1 4	
KN 3 1 2 8 2 0	2 7	2 4		MT 4 6 0 2 4 0	3 9	2 5	
KN 3 1 2 9 4 0	2 7	5		WW 3 1 0 2 1 0	2 7	2 3	
KN 3 1 3 6 7 0	2 7	1 0					
KN 3 1 5 1 1 0	2 7	1 3					
KN 3 1 5 1 3 0	2 7	7					
KN 3 3 0 1 3 0	2 5	1 5					
KN 3 3 0 2 4 0	2 5	1 0					
KN 3 3 0 2 5 0	2 5	4					
KN 3 3 2 0 1 0	2 5	1 3					
KN 4 5 0 3 0 0	3 7	1 7					
KN 4 5 0 3 0 0	3 9	1 1					
KN 4 5 0 3 1 1	3 9	1 9					
KN 4 7 0 1 5 1	3 5	1 4					
KN 4 7 0 1 6 1	4 1	1 3					
KN 4 8 0 0 6 1	3 5	7					
KN 4 8 0 0 6 1	3 7	7					
KN 4 8 0 0 6 1	3 9	3					
KN 4 8 0 0 6 1	4 1	1 9					
KN 4 8 2 0 0 0	3 5	2					
KN 4 8 2 0 0 0	3 7	2					
KN 4 8 2 0 0 0	3 9	6					
KN 4 8 2 0 0 0	4 1	2 1					
KN 4 8 2 0 1 0	3 5	8					
KN 4 8 2 0 1 0	3 7	8					
KN 4 8 3 4 2 0	3 9	2					
KN 4 8 3 4 2 0	4 1	2 0					
KN 4 8 3 4 5 0	3 9	4					
KN 4 8 3 4 5 0	4 1	1 8					
KN 4 9 0 1 2 1	4 1	9					
KN 4 9 0 1 3 0	4 1	7					
KN 4 9 0 1 4 0	4 1	5					
KN 4 9 0 1 5 0	4 1	1 4					
KN 5 1 1 0 2 0	2 7	2 8					
KN 5 4 0 5 0 0	5 9	2					
KN 5 4 0 5 1 0	5 9	4					

